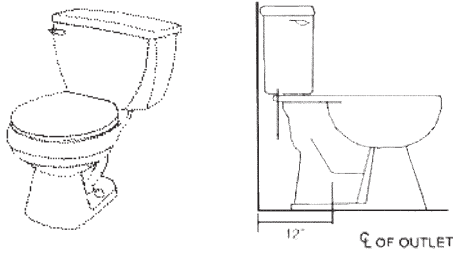


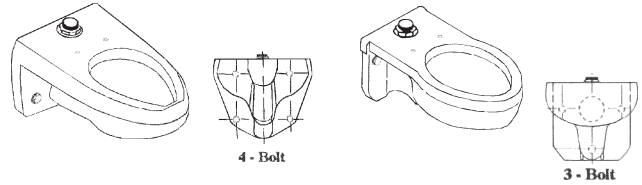
TOILET & TANK REPAIRS

TOILET COMBINATIONS – GRAVITY TOILET (1.6 GPF)



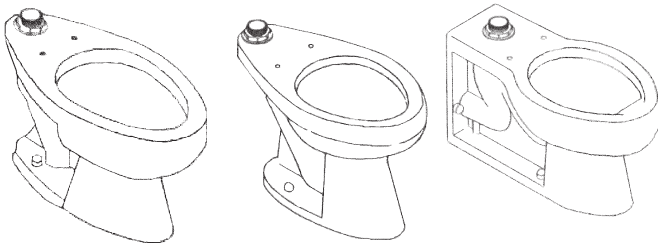
PART #	DESCRIPTION
40210027	Round front combination 10" rough-in
40210027	Round front combination 12" rough-in
74000710	Elongated combination 10" rough-in
40210048	Elongated combination 12" rough-in
40210029	17" high combination 12" rough-in ADA

FLUSH VALVE TOILETS - WALL MOUNTED (1.6 GPF)



PART #	DESCRIPTION
40210024	A/S elongated W/H 1-1/2" Top Spud 4 bolt
74003446	Crane elongated W/H 1-1/2" Top Spud 4 bolt
40211003	Kohler elongated W/H 1-1/2" Top Spud 4 bolt
40210032	Kohler elongated W/H 1-1/2" Top Spud 3 bolt

FLUSH VALVE TOILETS - FLOOR MOUNTED (1.6 GPF)



PART #	DESCRIPTION
40210019	Elongated 1-1/2" Top Spud 10" or 12" rough-in
40210033	Elongated 1-1/2" Top Spud 17-1/2" high 10" or 12" rough-in ADA
74004486	Elongated 1-1/2" Top Spud Wall Outlet

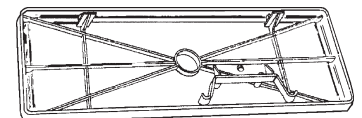
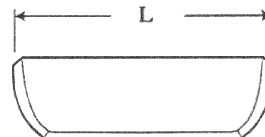
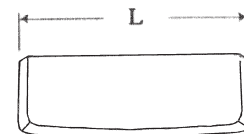
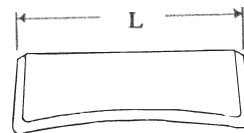
TANK TOPS

PART #	DESCRIPTION
74004049	American Standard F4049
74004083	American Standard F4083
74004078	American Standard F4078
74005018	Am. Std. Cadet II 1.6 gpf
74005003	Am. Std. Colony 1.6 gpf
74007401	Briggs 7401
74007421	Briggs 7421
74000299	Gerber 28-299
74000799	Gerber 28-799
74004552	Kohler K-4552 (length 22-1/8")
74004556	Kohler K-4556 (length 20-1/2")
74004558	Kohler K-4558 (length 20-1/8")
74001000	Economy Fit-All
74001010	Heavy Duty Fit-All (Plastic)
74001005	Toilet Tank Liner Kit

JOHNNY COVERS

JohnnyCovers™ are the world's first and only disposable urinal covers. They were created to provide an economical and professional way to take a malfunctioning urinal out of service. JohnnyCovers™ are designed to fit any size wall-mounted urinal. They can also be used on many toilets and drinking fountains.

PART # 40201010



**TOTAL
MAINTENANCE
SOLUTIONS**

HOUSTON
800/392-5066

ORLANDO
800/327-3022

GREENVILLE
800/476-2212

LOOK FOR US ON THE WEB AT: www.TMSSouth.com

TOILET & TANK REPAIRS

**INSTALL A TOILET ANYWHERE YOU LIKE...
...FOR LESS THAN YOU THINK
WITH**



SANIPLUS MACERATING PUMP

PART # 40211402 – Pumps as high as 15 feet or as long as 150 feet. It can handle up to four fixtures; toilet, hand basin, shower and bathtub

SANIBEST GRINDER PUMP

PART # 40211336 – Pumps as high as 18 feet or as long as 200 feet. The grinder is also able to deal with sanitary articles that may have been flushed down by accident.

WHITE TOILET TANK

PART # 40211400 – Flushes 1.6 gallons per flush.

WHITE TOILET BOWL

PART # 40211401 – Elongated and ADA compliant (16-3/4" high)

SANICOMPACT 48

PART # 40211403 – self-contained china toilet that uses 1.1 gallons per flush. The macerator is within the bowl. This toilet is for use with people that have physical limitations.

SANIVITE

PART # 40211304 – gray water pump ideally suitable for use with a kitchen sink, laundry sink, bar sink or dishwasher. It will pump waste water away at 10psi and 16 feet high or 150 feet horizontally.

SANIFLO EXTENSION

PART # 40211313 – gives the ability to conceal the macerator unit in wall if needed.



TK-200 TOILET KART

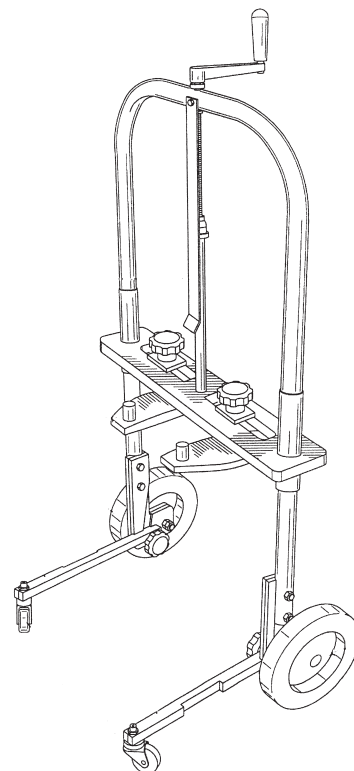
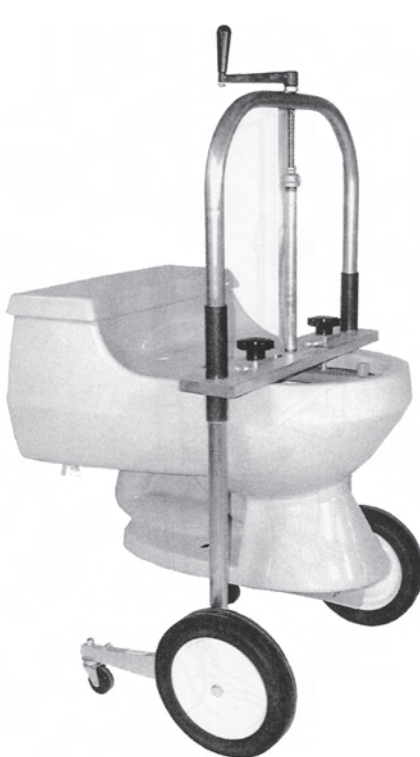
- Lightning Speed Installations.
- Cleaner Repair Jobs.
- Easily Replace the Wax Seal.
- Toilet Won't Fall Off.
- Roll Toilet Up & Downstairs & Out to the Truck.
- Legs fold up for compact storage.

Save Your Back!

PART # 20401000



**DON'T LIFT
THAT HEAVY
TOILET!**



FITS MOST TOILETS



**TOTAL
MAINTENANCE
SOLUTIONS**

HOUSTON
800/392-5066

ORLANDO
800/327-3022

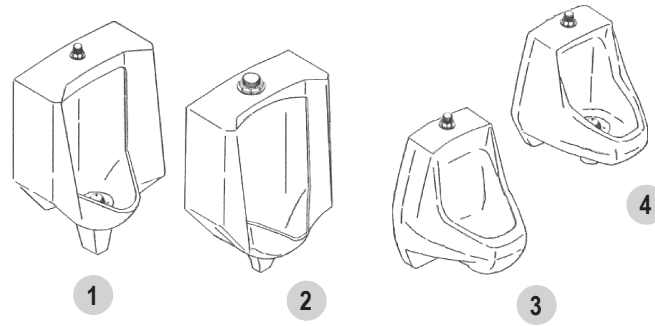
GREENVILLE
800/476-2212

LOOK FOR US ON THE WEB AT: www.TMSSouth.com

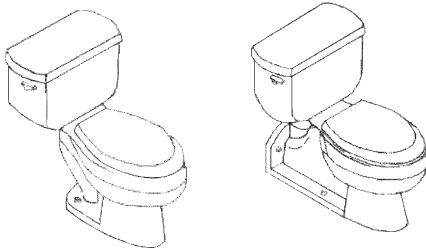
TOILET & TANK REPAIRS

URINALS

ITEM	PART #	DESCRIPTION
1	40210026	Washout urinal 1.0 gpf 3/4" Top Spud
2	74004970	Blow-out urinal 1.0 gpf 1-1/4" Top Spud
3	40210034	Siphon jet urinal 1.0 gpf 3/4" Top Spud
4	40211341	Washout urinal 1.0 gpf 3/4" Top Spud (Exposed Trap)



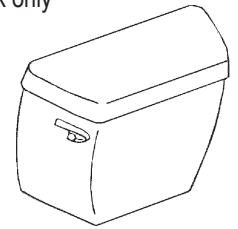
TOILET COMBINATIONS – PRESSURIZED TOILET (1.6 GPF)



PART #	DESCRIPTION
74003458	Elongated combination 12" rough-in
74003546	Elongated combination - Rear outlet

TOILET TANKS

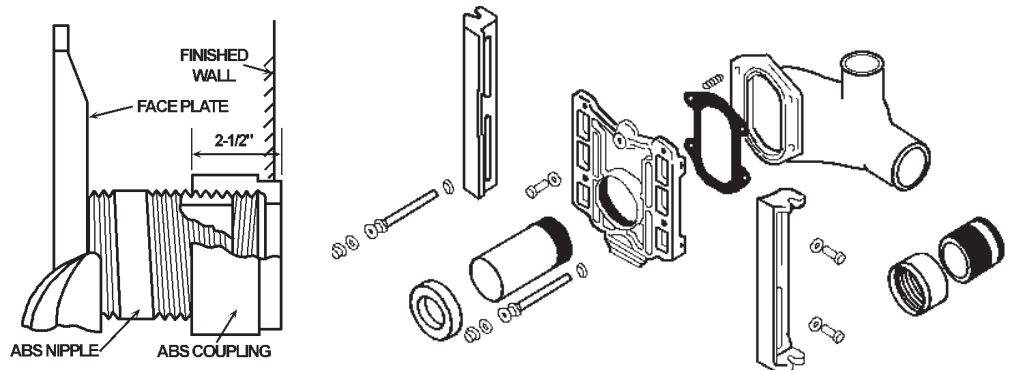
PART #	DESCRIPTION
74003500	Geberit plastic universal replacement tank
74000290	Gerber 1.6 gpf – tank only
74004620	Kohler Wellworth 1.6 gpf – tank only
74004072	Am. Std. Cadet II 1.6 gpf – tank only
74004092	Am. Std. Colony 1.6 gpf – tank only



CALL FOR ROUGHING - IN MEASUREMENTS ON ALL FIXTURES

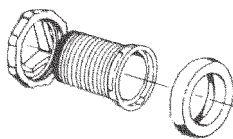
J.R. SMITH "LINEBACKER" CLOSET CARRIERS

PART #	DESCRIPTION
39762002	3-1/4" ABS Nipple
40300187	8-1/4" ABS Nipple
40300180	2-1/2" ABS Coupling



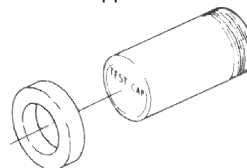
ABS ADJUSTABLE EXTENSION FOR JOSAM "UNITRON" CARRIERS

"Fine" thread. Available in 9-1/4" and 12-1/4" Cast Iron. 6-1/4" length. PART # 39472004



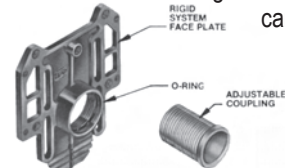
FOR JOSAM 12000 SERIES & WADE

PART #	DESCRIPTION
39474002	7" ABS Nipple
39474004	12" ABS Nipple



FOR ZURN 1203 & 1204 SERIES

PART #	DESCRIPTION
39994002	10" ABS Nipple
39994004	O-ring for sealing at carrier face



HOUSTON
800/392-5066

ORLANDO
800/327-3022

GREENVILLE
800/476-2212

LOOK FOR US ON THE WEB AT: www.TMSSouth.com

TOILET & TANK REPAIRS

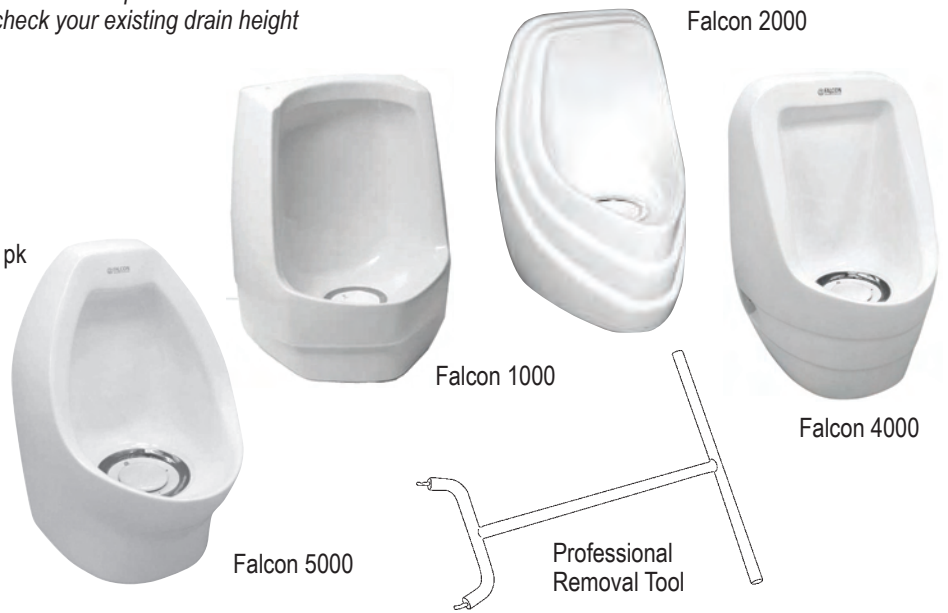
FALCON WATERFREE URINALS

Falcon waterfree urinals reduce water and sewer costs, maintenance and repair bills, and create more hygienic, odor-free restrooms. A patented, sealed cartridge eliminates the need for water, typically conserving 40,000 gallons per unit per year. Purchasing and installing Falcon waterfree urinals is less expensive than manual and automatic flush units because flush valves and associated piping are not required. Maintenance costs and vandalism problems associated with flush valves are also eliminated. Please check your existing drain height – 18" or less acceptable.



PART #	DESCRIPTION
40600022	Falcon 1000 Waterfree urinal
40600023	Falcon 2000 Waterfree urinal
40600024	Falcon 4000 Waterfree urinal
40600025	Falcon 5000 Waterfree urinal
40600019	Replacement cartridge
40600021	Replacement cartridges – 20 pk
20401022	Professional Removal Tool

Patented, sealed cartridge uses a biodegradable sealant liquid to control odors



ZURN ECOVANTAGE SERIES FLUSH VALVE TOILETS

Superior flushing action, 1.28 gallon flush.

PART #	DESCRIPTION
40291049	Model Z5615 Elongated, Wall hung Toilet
40291050	Model Z5655 Elongated, Floor mounted Toilet

ECOVANTAGE Z5798 ULTRA LOW CONSUMPTION URINAL

1/8 gallon of water per flush. Saves over 30,000 gallons per year over standard urinal. Sanitary, hands free operation.

40291051	Model Z5798 "The Pint", Top spud, 0.125 ultra low consumption stall urinal
----------	--



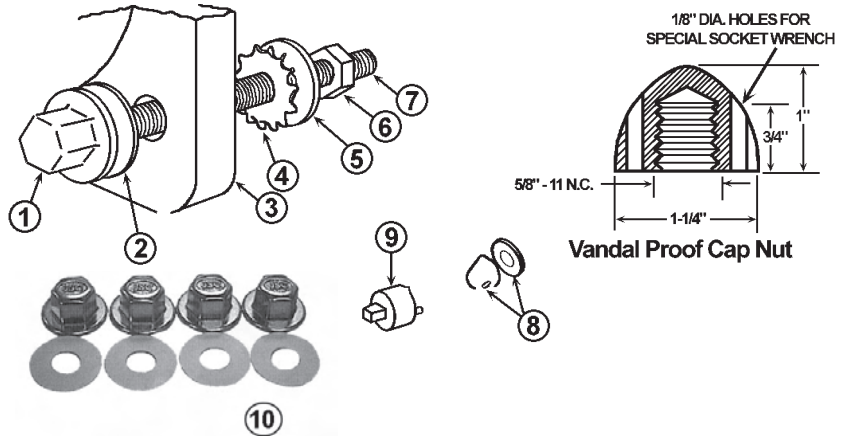
HOUSTON 800/392-5066 ORLANDO 800/327-3022 GREENVILLE 800/476-2212

LOOK FOR US ON THE WEB AT: www.TMSSouth.com

TOILET & TANK REPAIRS

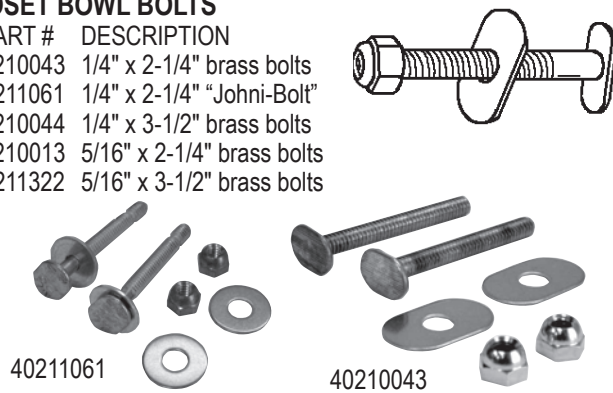
CLOSET CARRIER PARTS

ITEM	PART #	DESCRIPTION
1	40300214	Chrome washer nut
2	40300209	Fiber washer
3		Closet flange
4	40300211	Bowl stabilizer washer
5	39472008	Metal washer
6		Back-up nut
7		Mounting stud (specify length)
8	39942010	Vandal proof trim kit
9	39942012	Socket for vandal proof trim kit
10	40300710	Trim kit (contains 4 each item 1 and item 2)



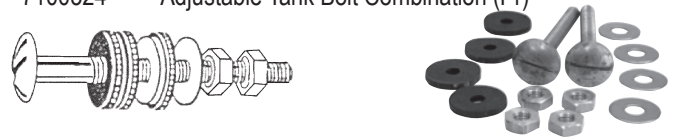
CLOSET BOWL BOLTS

PART #	DESCRIPTION
40210043	1/4" x 2-1/4" brass bolts
40211061	1/4" x 2-1/4" "Johni-Bolt"
40210044	1/4" x 3-1/2" brass bolts
40210013	5/16" x 2-1/4" brass bolts
40211322	5/16" x 3-1/2" brass bolts



CLOSET TANK TO BOWL BOLTS

PART #	DESCRIPTION
40211048	5/16" x 3-1/4" Tank Bolt Combination (Pr)
7100324	Adjustable Tank Bolt Combination (Pr)



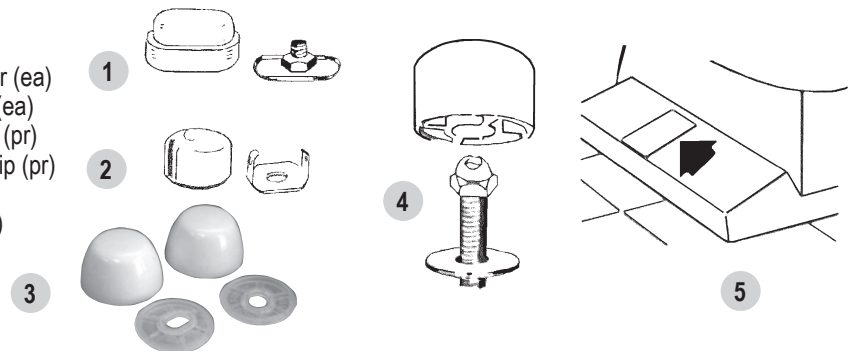
CLOSET BOWL SCREWS

PART #	DESCRIPTION
40210062	1/4" x 2-1/2" brass screws
40211319	1/4" x 3-1/2" brass screws



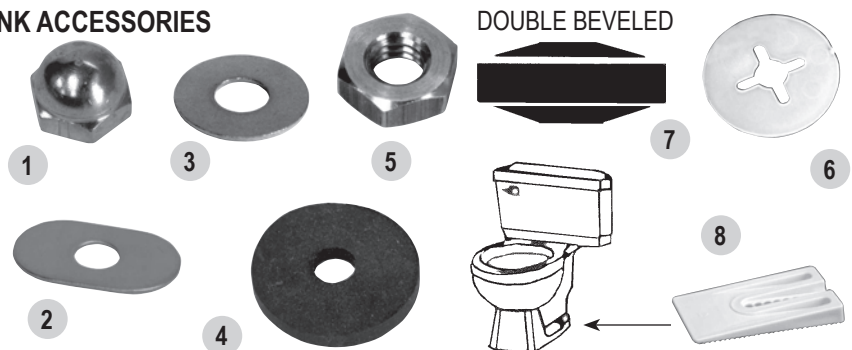
TOILET BOLT CAPS

ITEM	PART #	DESCRIPTION
1	7100404	Oval plastic cap with S/S washer (ea)
2	7100406	Round plastic cap with S/S clip (ea)
	7100407	Round plastic cap w/clip - beige (pr)
3	40211188	Round plastic cap with plastic clip (pr)
4	7100410	Round plastic press-on cap (ea)
5	7100412	Snap-on cap for Eljer toilets (ea)



CLOSET BOWL BOLT, SCREW & BOWL TO TANK ACCESSORIES

ITEM	PART #	DESCRIPTION
1	40210063	1/4" CP Acorn nut closed end
	40210064	1/4" CP Acorn nut open end
2	40210065	S/S oval washer
3	40210066	S/S round washer
4	40211320	Rubber washer for tank to bowl
5	40210067	Brass nut for tank to bowl
6	40211321	Speed nut
7	7100326	Tank to bowl washers - Kohler
8	40211225	Toilet stabilizer shims (8)



MORE SHIMS ON PAGE 2-12



**TOTAL
MAINTENANCE
SOLUTIONS**

HOUSTON
800/392-5066

ORLANDO
800/327-3022

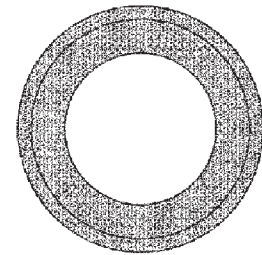
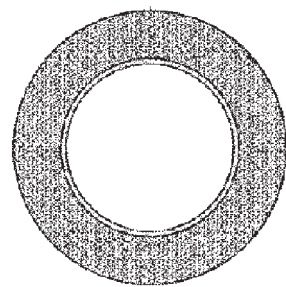
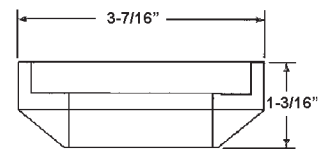
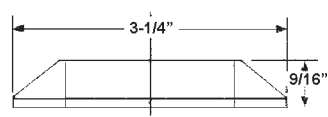
GREENVILLE
800/476-2212

LOOK FOR US ON THE WEB AT: www.TMSSouth.com

TOILET & TANK REPAIRS

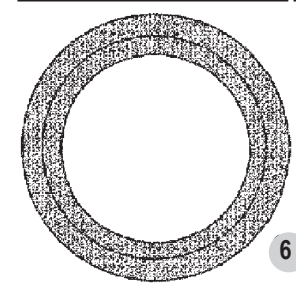
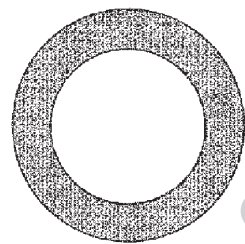
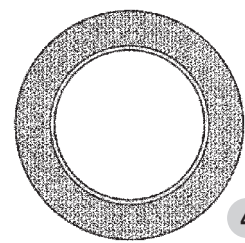
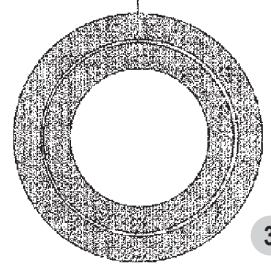
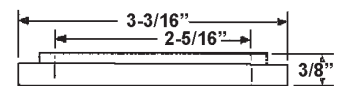
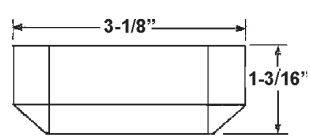
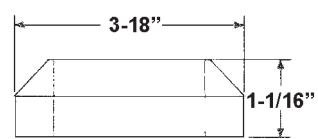
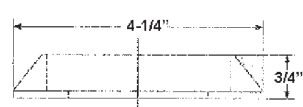
TANK TO BOWL GASKETS

ITEM	PART #	DESCRIPTION
1	40210041	American Standard
2	40211299	American Standard & Crane
3	44585004	American Standard
4	44585006	Crane
5	40211051	Crane & Gerber
6	44735026	Eljer
7	40211288	Kohler
8	44695021	Kohler Wellworth
9	40211054	American Standard
10	44735040	Eljer
11	40211056	Kohler Well worth (new style)
12	40950108	Gerber
	44733123	Mansfield (not shown)



1

2

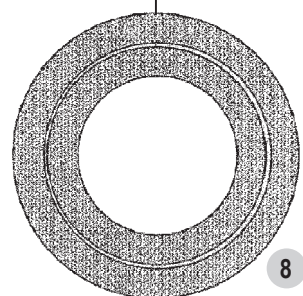
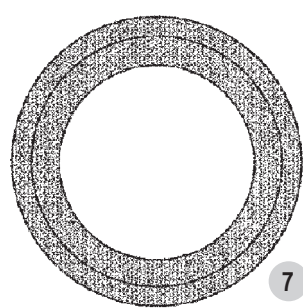
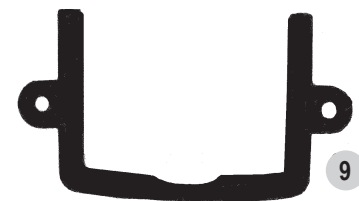
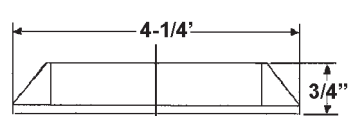
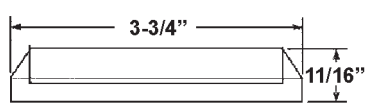


3

4

5

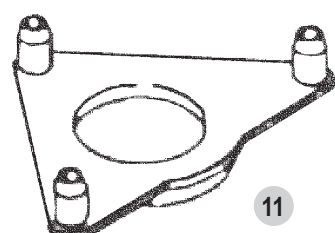
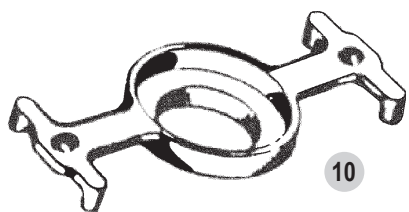
6



9

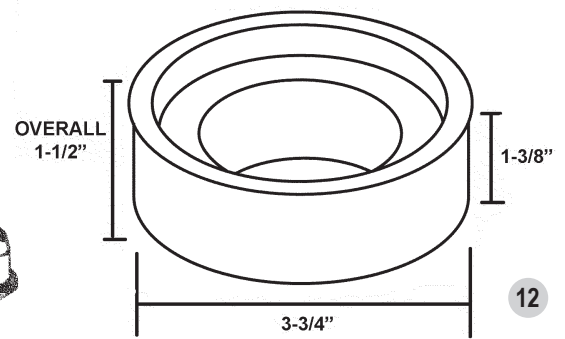
7

8



10

11



12



HOUSTON
800/392-5066

ORLANDO
800/327-3022

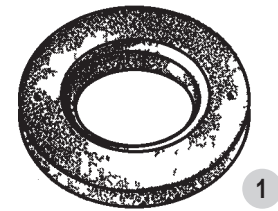
GREENVILLE
800/476-2212

LOOK FOR US ON THE WEB AT: www.TMSSouth.com

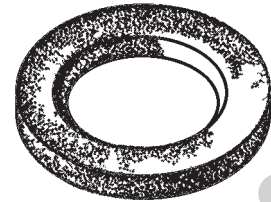
TOILET & TANK REPAIRS

CLOSET BOWL CUSHIONS & GASKETS

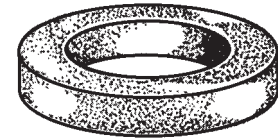
ITEM	PART #	DESCRIPTION
1	7100102	Wide flange type w/bolt holes 6-3/4"OD x 3-1/2"ID x 3/4"
2	40211233	Ring type w/no bolt holes 5-3/8"OD x 3-1/2"ID x 3/4"
3	40211016	Regular wax gasket for floor bowls only.
	40211005	Urethane wax gasket for floor or wall bowls
4	40210021	Regular wax gasket for floor bowls only
	40211001	Urethane wax gasket for floor & most wall bowls
5	40211014	Extra Thick wax seal – floor bowls only
6	40211234	Urethane wax gasket for floor bowls only (4" lines)
7	40211224	Felt type gasket for 4" lines. 5"ODx 3-3/8"IDx 3/4"
8	40211223	Sponge type gasket for 4" lines. 5-1/8"ODx 3-3/8"IDx 3/4"
9	40291034	Zurn "Neo-Seal" Sponge gasket with adhesive.
10	40211377	Wax free toilet seal connects toilets to 3" drains
11	40211378	Wax free toilet seal connects toilets to 4" drains



1



2



3



4



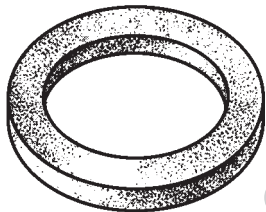
5



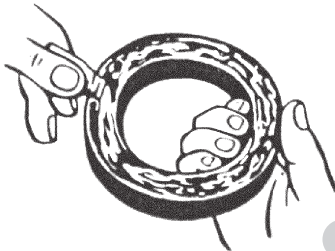
6



7



8



9

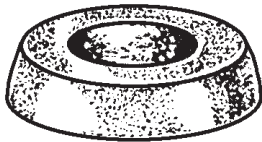


10

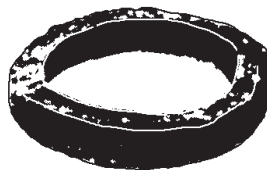


11

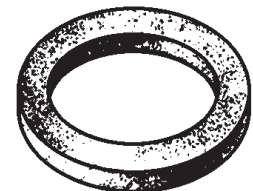
URINAL GASKETS



PART # 40211012
DESCRIPTION Urethane wax gasket for 2" outlets

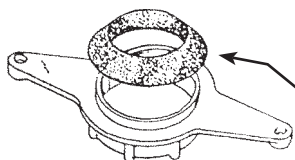


PART # 40210239
DESCRIPTION Felt type gasket 3-1/2"ODx 2"IDx 3/4"



PART # 40211237
DESCRIPTION Sponge type gasket 4-3/8"ODx 2-7/8"IDx 1/2"

PART # 40210042
DESCRIPTION Sponge type gasket 3"ODx 2-1/8"IDx 3/8"



PART # 40210041
DESCRIPTION Sponge type gasket (Kohler) 3-1/4"ODx 2-1/16"IDx 9/16"

PVC Urinal Flange Kit
Part # 96690404
(Not shown)



HOUSTON
800/392-5066

ORLANDO
800/327-3022

GREENVILLE
800/476-2212

LOOK FOR US ON THE WEB AT: www.TMSSouth.com

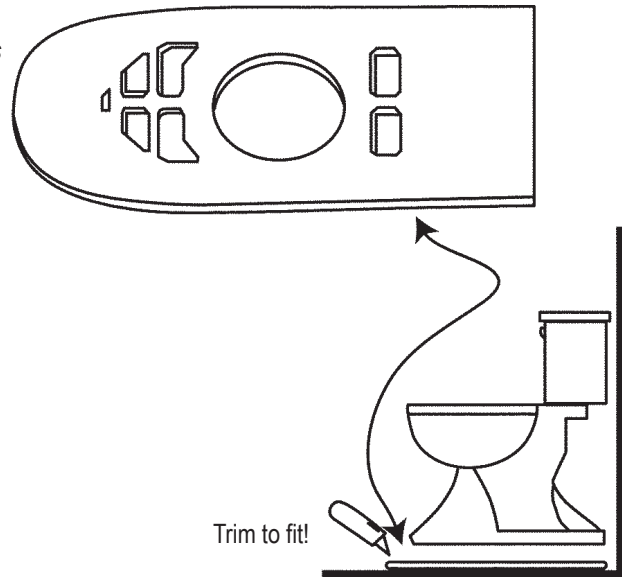
TOILET & TANK REPAIRS

BIG FOOT TOILET GASKETS

BIG FOOT II TOILET/BIDET FLOOR GASKET

- Seals all toilets 4.5 GPF through 1.6 GPF, round and elongated bowls, square and round fronts, standard and to the wall mounts
- TP rubber construction creates a total seal
- Self forming material eliminates wobbles and rocking
- Trim with ordinary razor blade knife
- Greatly reduces risk of cracked bowls
- Protects the ceiling below from water damage
- Protects against cracked mounting flanges
- Available in standard white – custom colors upon request

PART # 7100860
Self shimming soft floor gasket

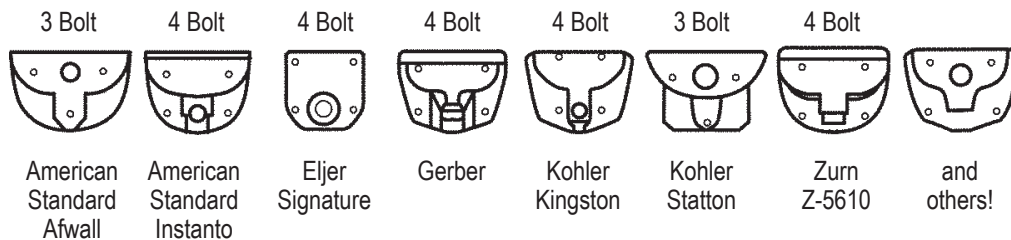
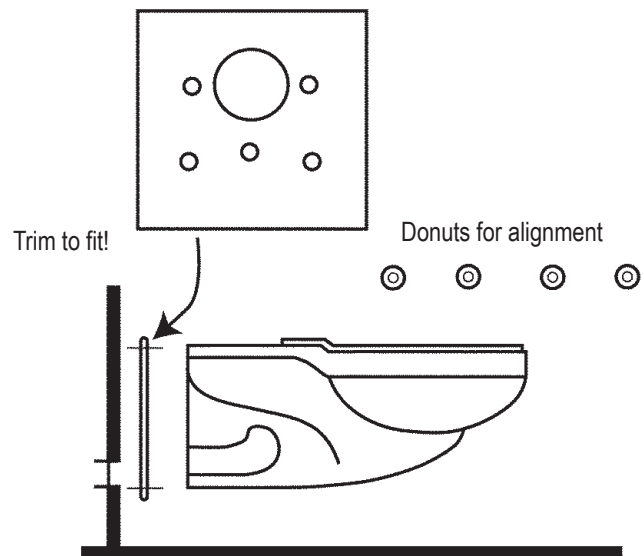


BIG FOOT IV WALL HUNG STABILIZER SEAL GASKET

- Same features as one pictured above

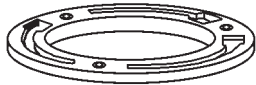
PART # 7100850
Self shimming soft wall gasket

FITS MOST 3 AND 4 BOLT PATTERNS!



TOILET & TANK REPAIRS

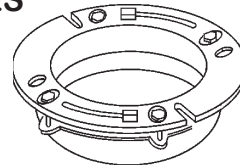
FLANGES



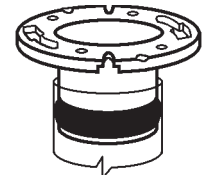
PART # 7100328
DESCRIPTION 14 oz. Brass closet flange



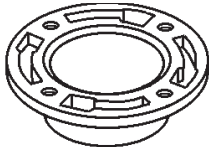
PART # 7100329
DESCRIPTION 1-1/8" Deep brass closet flange



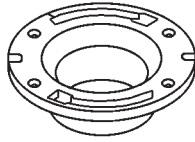
PART # 7100113
DESCRIPTION No Caulk closet flange C.I. (4")



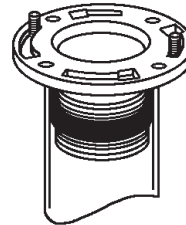
PART # 40210016
DESCRIPTION 4" Street compression closet flange



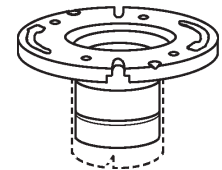
PART # 96925902
DESCRIPTION 4" PVC closet flange



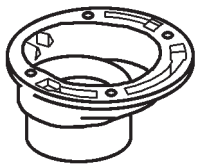
PART # 40851019
DESCRIPTION 4" or 3" PVC closet flange



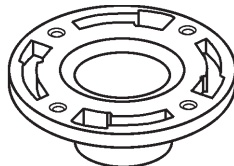
PART # 40211253
DESCRIPTION PVC Twist-N-Set closet flange



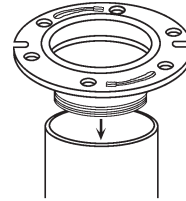
PART # 40211294
DESCRIPTION 3" Inside compression flange



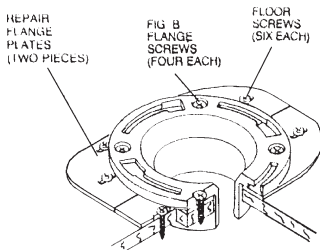
PART # 96690400
DESCRIPTION 2" Offset closet flange for 3" or 4" line



PART # 7100115
DESCRIPTION 3" street closet flange



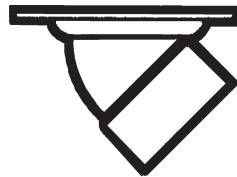
PART # 7100442
DESCRIPTION 3" x 2" Cast iron two finger flange



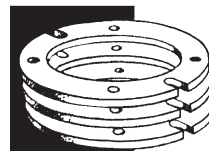
PART # 40211307
DESCRIPTION Repair flange kit (closet flange not included)

PART # 40211252
DESCRIPTION 3" street long closet flange

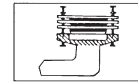
PART # 40211295
DESCRIPTION 4" street long closet flange



PART # 7100341
DESCRIPTION 45 degree adj. closet flange for 3" line



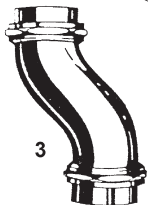
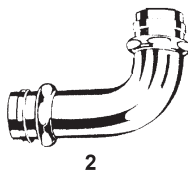
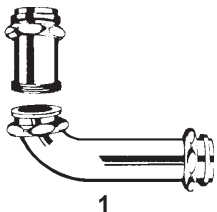
PART # 40211015
DESCRIPTION Closet flange extension



PART # 40211339
DESCRIPTION Spanner repair flange

TANK BENDS

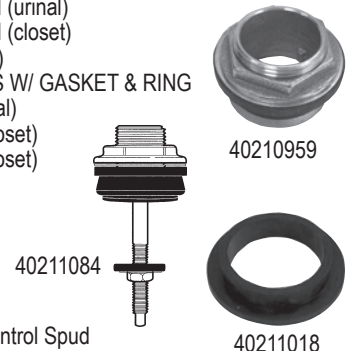
ITEM	PART #	DESCRIPTION
1	50552452	2"x 6" x 8" Repair flush ell
2	40800574	2"x 6" x 8" Closet tank ell
3	50552456	2"x 1-1/2" x 6" Closet offset



BRASS CLOSET & URINAL SPUDS

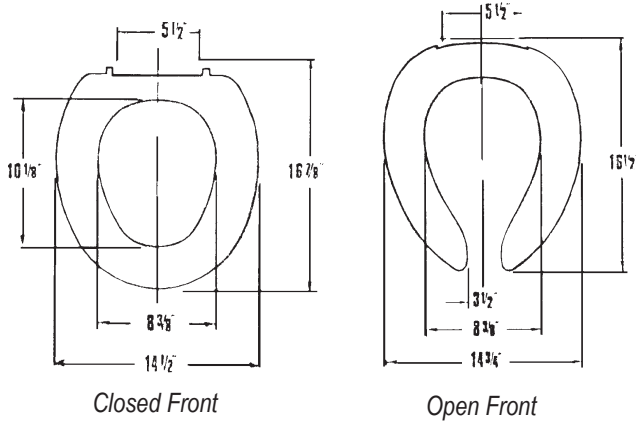
PART #	DESCRIPTION
40210960	1-1/4" x 1-1/4" Spud (urinal)
40210959	1-1/2" x 1-1/2" Spud (closet)
40210058	2" x 2" Spud (closet)
40210961	1" x 3/4" Spud (urinal)
40210020	2" x 1-1/4" Spud (closet)
40211068	2" x 1-1/2" Spud (closet)
40211020	SPUD WASHERS 3/4"
40211019	1-1/4"
40211018	1-1/2"
40211087	2"

40211084 Kohler 3/4" Flow Control Spud
09898763 Kohler 1-1/4" Flow Control Spud



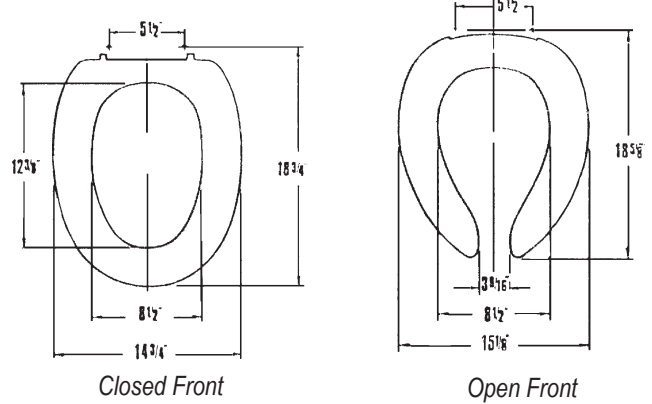
TOILET & TANK REPAIRS

TOILET SEATS - REGULAR BOWL



PART #	DESCRIPTION
40211080	Closed front w/ lid, white wood
40211032	Closed front w/ lid, white plastic
40211027	Open front, no lid, black plastic
40211026	Open front, no lid, white plastic
73140100	Open front, w/ lid, white plastic

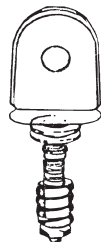
TOILET SEATS - ELONGATED BOWL



PART #	DESCRIPTION
40211245	Closed front w/lid, white wood
40211031	Closed front w/lid, white plastic
40211303	Open front w/lid, white plastic
40211025	Open front, no lid, black plastic
40211024	Open front, no lid, white plastic

REPLACEMENT PARTS FOR SPERZEL SEATS

PART #	DESCRIPTION
74810100	Snap-in seat bumper – new style – white
74810104	Snap-in seat bumper – old style – white
74810108	Self-sustaining check hinge assy. – white
74810112	Self-sustaining check hinge assy. – black
74810116	Hinge cover – white, new style, 3/8" hole
74810120	Hinge cover – white, old style, 1/2" hole
40211315	Bolt, washer nut (pr.)



Check Hinge Assembly



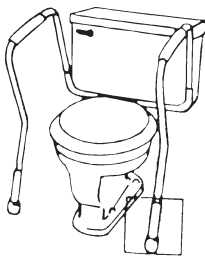
Eccentric Washer
STOPS Toilet Seat Wobbling
PART # 40211240



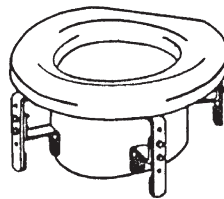
Snap - In Bumper
74810100

SPECIAL SEATS/PROPRIETARY SEATS

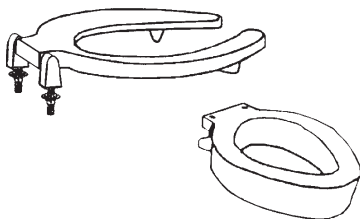
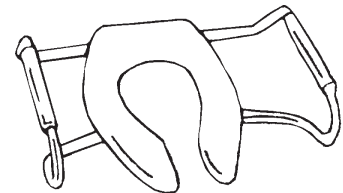
Adjustable support arms. Five height adjustments from 26" to 30".
PART # 80770600



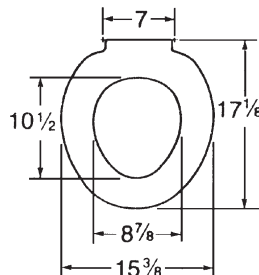
Adjustable raised toilet seat. Seat height adjusts from 4.5" to 6.5" above existing toilet bowl. Use in conjunction w/ support arms.
PART # 80776490



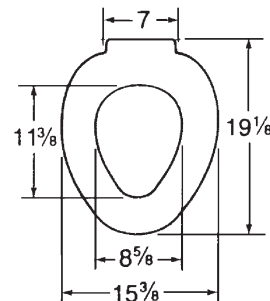
Medic-Aid Toilet Seat. Fits elongated bowl. PART # 73061900



Closed front w/ cover for regular bowl. 7" centers through tank. Fits Case one-piece toilets. White. PART # 73671050



Closed front w/ cover for elongated bowl. 7" centers through tank. Fits Case one-piece toilets. White. PART # 73671100



PART #	DESCRIPTION
40211289	2" Lift seat
73064000	3" Seat lift
40211257	Industrial elongated, O/F, no lid
73141099	Heavy duty elongated

Special Seats/
Proprietary Seats
continued on
next page



**TOTAL
MAINTENANCE
SOLUTIONS**

HOUSTON
800/392-5066

ORLANDO
800/327-3022

GREENVILLE
800/476-2212

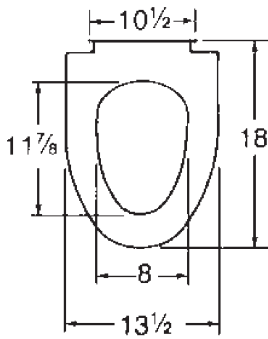
LOOK FOR US ON THE WEB AT: www.TMSSouth.com

TOILET & TANK REPAIRS

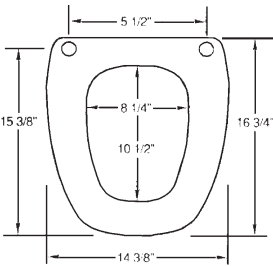
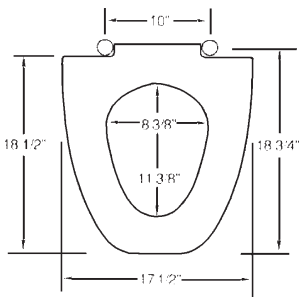
SPECIAL SEATS/PROPRIETARY SEATS

continued from previous page

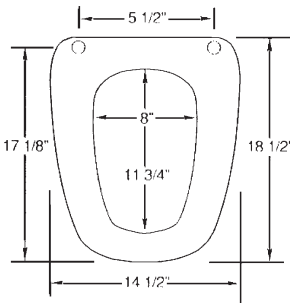
Closed front w/ cover for elongated bowl. 10-1/2" centers through tank. Fits Case one-piece toilets. White. PART # 73671000



Closed front w/ cover for elongated bowl. 10" centers through bowl. Fits American Standard Luxor, Roma or Carlyse. White. PART # 40211301

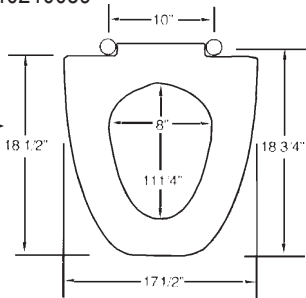


Closed front w/ cover for regular bowl. 5-1/2" centers through bowl. Fits Eljer Emblem. White. PART # 40210059

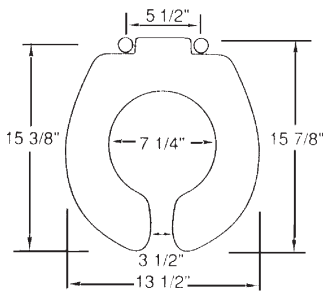


Closed front w/ cover for elongated bowl. 5-1/2" centers through bowl. Fits Eljer Emblem. White. PART # 40211311

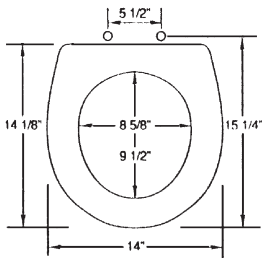
Closed front w/ cover for elongated bowl. 10" centers through bowl. Fits American Standard Ellisse. White. PART # 73060312



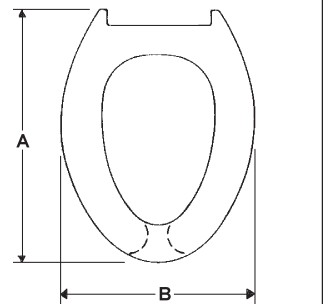
Open front w/o cover for baby bowls. 5-1/2" centers through bowl. White. PART # 40211302



Closed front w/ lid for trailer or marine closets. 5-1/2" centers through bowl. White. PART # 73060400

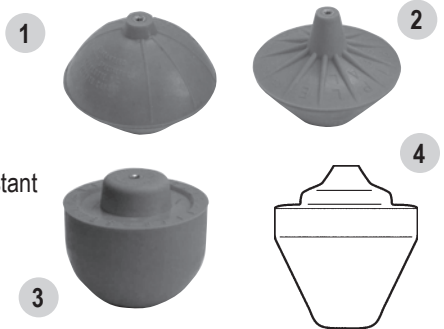


PART #	DESCRIPTION
73144675	Kohler proprietary seat – Rochelle: A=19-3/8" B= 14-7/16". 5-1/2" centers through bowl. White
73144691	Kohler proprietary seat – Champlain: A=18-7/16" B= 14-1/4". 7" centers through tank. White



TANK BALLS

ITEM	PART #	DESCRIPTION	ITEM	PART #	DESCRIPTION
1	40211326	Heavy Duty tank ball. For toilets with high refilling action.	2	40211142	Tank ball 3"
	40211326	Same as 40211326, chemical resistant.		40211346	Same as 7072004, chemical resistant.
2	40211334	Tank ball 2-1/4" – 2-5/8"	3	40210055	Eljer tank ball
	40211334	Same as 7072003, chemical resistant.		7072120	Same as 40210055, chemical resistant
				40211480	Medium Aristocrat (Kohler)
				40211334	Large Aristocrat
			4	40211144	Sealmaster B-255



HOUSTON
800/392-5066

ORLANDO
800/327-3022

GREENVILLE
800/476-2212

LOOK FOR US ON THE WEB AT: www.TMSSouth.com

TOILET & TANK REPAIRS



**HEAVYWEIGHT
TOILET SUPPORT SOLUTIONS**

Supports up to 1000 lbs. For use in public government buildings, sports facilities, commercial buildings, hospitals, other healthcare facilities, anywhere there's a wall mounted toilet!

UNIVERSAL TOILET SUPPORT



Affixes to any commercial vitreous china wall mounted toilet from manufacturers such as American Standard, Crane, Eljer, Kohler, Mansfield and Toto.

Part # 40300171

BIG JOHN TOILET SUPPORT



Mounts underneath the toilet bowl to redistribute weight. Simple to install. Maintains cleaning ability of wall mounted fixture – leg base can be raised up to 4" for cleaning access.

Made of high-impact ABS. Carriage and foot are made of a stain resistant flexible PVC.

Part # 40211407

BIG JOHN TOILET SEATS

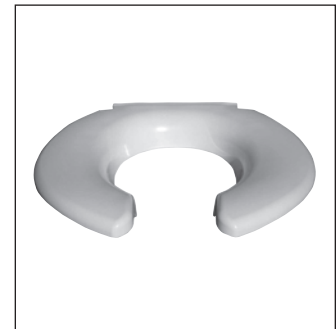
Ideal for Big and Tall/Plus Size consumers as well as senior citizens and the physically impaired. Made from the highest grade plastic that is chemical and stain resistant. Fits on all standard toilets, round or elongated. 2" higher than standard toilet seats. ADA Compliant, perfect for hospitals, health care facilities and public restrooms.



Elongated closed front with cover, white
40211404



Elongated open front with cover, white
40211405



Elongated open front without cover, white
40211406



HOUSTON
800/392-5066

ORLANDO
800/327-3022

GREENVILLE
800/476-2212

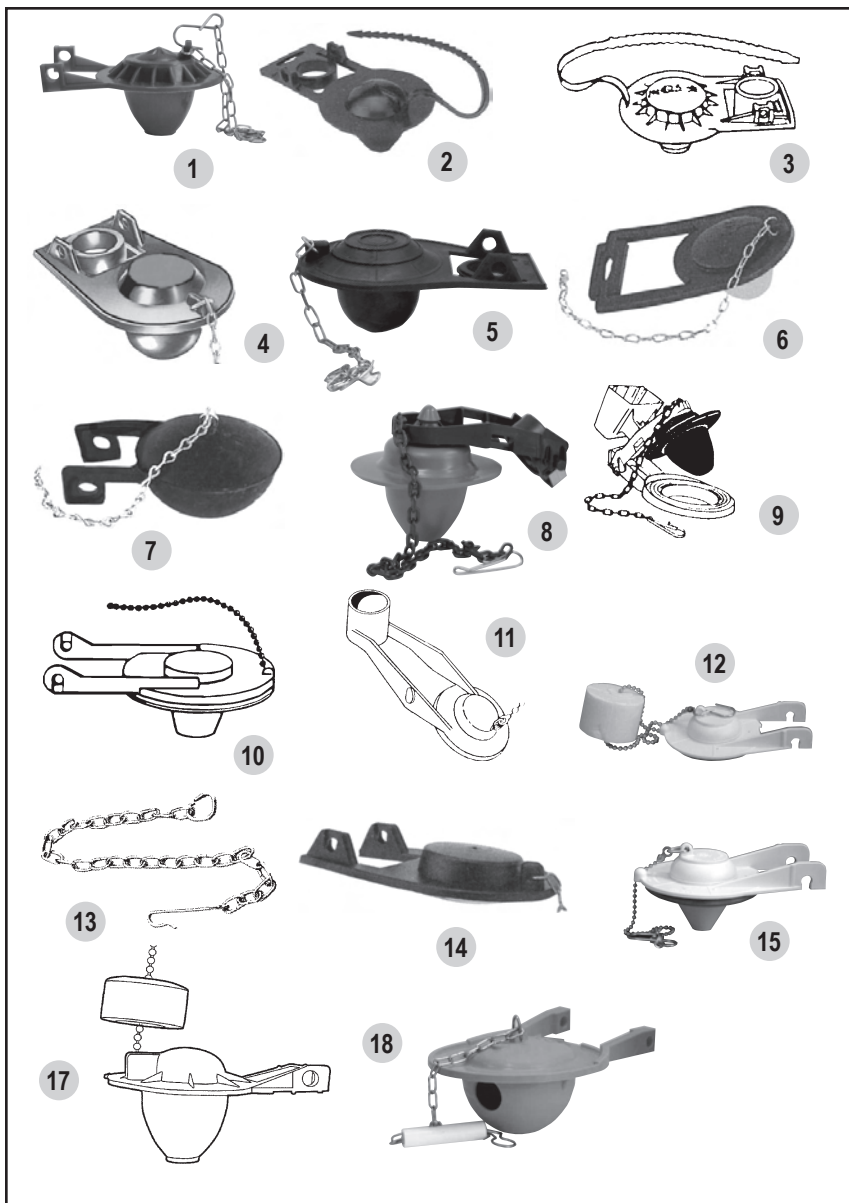
LOOK FOR US ON THE WEB AT: www.TMSSouth.com

TOILET & TANK REPAIRS

TOILET FLAPPERS

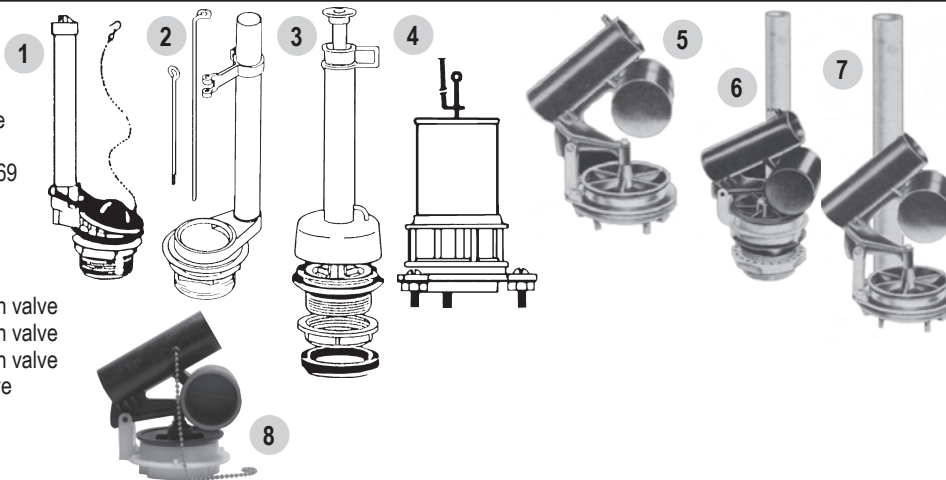
ITEM	PART #	DESCRIPTION
1	NLA	Black vinyl flapper w/ chain
	40211145	Blue vinyl flapper w/ chain *
2	NLA	Black vinyl flapper w/ strap
	40211292	Blue vinyl flapper w/ strap *
3	40211305	White vinyl flapper w/ strap
4	40210040	Korky (black) flapper w/ chain
	40210017	Korky (red) flapper w/ chain *
5	40210054	Universal flapper w/ chain
	7072108	Fits most conventional flush valves. Same as 7072008, chemical resistant.
6	40211440	Replacement flapper for Crane
7	40211348	Replacement flapper for Kohler
	40211327	Same as 7072009, chemical resistant.
8	40211291	Fluidmaster Bulls Eye "Super Flapper" Used as replacement for Flusher Fixer.**
9	40210053	Fluidmaster Flusher Fixer kit
10	40211513	White plastic flapper w/ styrofoam center. Fits Eljer.
11	40211152	Replacement for counter balance flush valves
12	40211154	White plastic flapper w/ float for 1.6 gpf toilets
13	7018007	Replacement chain for flappers
14	40140106	Replacement flapper for Kohler low boy toilets
15	40211222	White plastic flapper
16	07291325	Gerber timed flapper (not shown)
17	40120259	American Standard flapper
18	40211300	Toto flapper (red)
	40211196	Toto flapper (blue)
19	7018050	Fit all Lordahl flapper (not shown)

* Rubber/vinyl treated for harsh water



FLUSH VALVES

ITEM	PART #	DESCRIPTION
1	40211338	Plastic flush valve w/ flapper
2	40211557	Douglas type brass flush valve
3	40211126	Mansfield 210 flush valve
4	40211537	Kohler canister flush valve 9369
	40210056	Curtain #50 flush valve. Adapted for use with American Standard, Crane & Richmond.
5	40120205	American Standard No. 4 flush valve
6	40211186	American Standard No. 5 flush valve
7	40211178	American Standard No. 6 flush valve
8	40120206	American Standard Flush valve



HOUSTON
800/392-5066

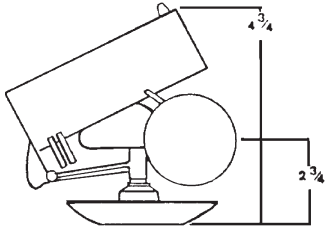
ORLANDO
800/327-3022

GREENVILLE
800/476-2212

LOOK FOR US ON THE WEB AT: www.TMSSouth.com

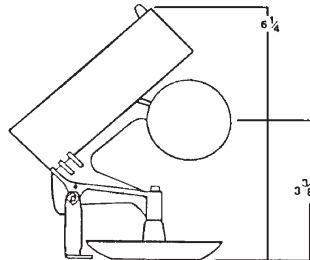
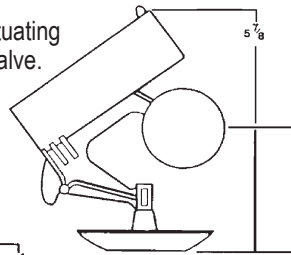
TOILET & TANK REPAIRS

FLUSH VALVE COMPONENTS



American Standard actuating unit for #5 flush valve.
PART # 40211173

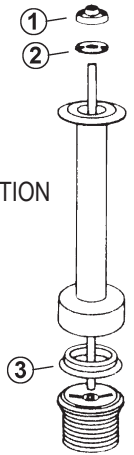
American Standard actuating unit for #5 & #6 flush valve.
PART # 40211168



American Standard actuating unit for #4 flush valve.
PART # 40211169

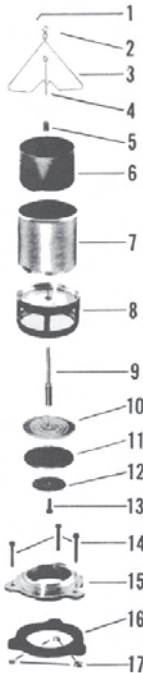
REPAIR PARTS FOR AMERICAN STANDARD N-3055 (OBSOLETE)

ITEM	PART #	DESCRIPTION
1	40211180	Grommet
2	40211181	Stop
3	40211182	Seal



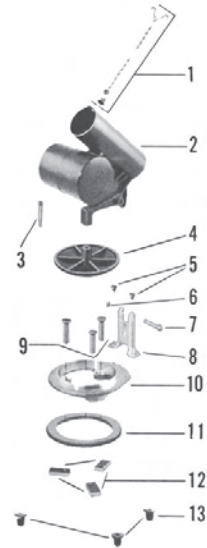
REPAIR PARTS FOR AMERICAN STANDARD #3 FLUSH VALVE (OBSOLETE)

ITEM	PART #	DESCRIPTION
1		Lift wire screw
2		Lift wire nut
3		Lift wire
4		Lift rod
5		Lift rod connection
6		Float
7		Housing
8		Housing support
9		Tie rod
10	01890102	Seat Disc washer
11	40211438	Seat washer
12	01890104	Seat washer holder
13	01890106	Seat washer screw
14		Seat bolt
15		Seat
16	01890108	Washer
17		Seat bolt nut



REPAIR PARTS FOR AMERICAN STANDARD #4 FLUSH VALVE

ITEM	PART #	DESCRIPTION
1	40120257	Lift chain assy.
1-4	40211169	Actuating unit
3	01894000	Screw for disc
4	40211172	Screw-on disc
5	01890760	Support leg screw
6	01890740	Nut
7	01890750	Screw
8	01890730	Support leg
9		F.H. screw
10		Seat
11	40211439	Seat
12	40211437	Fastening lug
13		Bolt hole seal



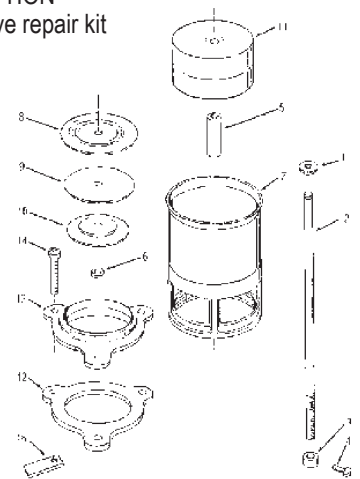
PARTS FOR AMERICAN STANDARD ACTUATING UNITS

PART #	DESCRIPTION
40211172	Screw-on disc
40211318	Screw-on disc, chemical resistant
40211171	Snap-on disc
40211306	Snap-on disc, chemical resistant
40120257	Lift chain for all actuating units
40211436	Clip only



REPAIR PARTS FOR KOHLER K-9360

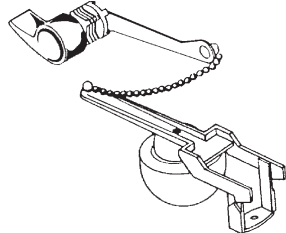
ITEM	PART #	DESCRIPTION
1-6		Flush valve repair kit
6	09893640	Nut
6,8,10		Disc kit
9	09893590	Seat washer
10	09893630	Metal washer
12-15		Seal kit
12	09893588	Gasket



TOILET & TANK REPAIRS

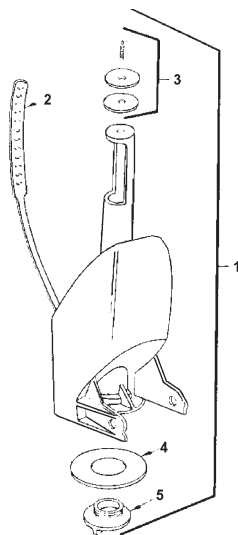
REPAIR PARTS FOR ELJER "TOUCH FLUSH"

PART #	DESCRIPTION
40130142	Eljer "Touch Flush" assembly
40210055	Tank ball for "Touch Flush"
06890500	Bracket
06890510	Arm with chain



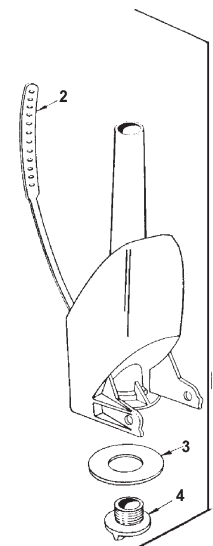
REPAIR PARTS FOR UNIVERSAL RUNDLE MODEL 259 TILT VALVE

ITEM	PART #	DESCRIPTION
1	40211539	Tilt valve assy. (259)
2	40211540	Lift strap
3		Cap counter weight (Not Sold Separately)
4	40211538	Seat washer
5		Screw plug (Not Sold Separately)



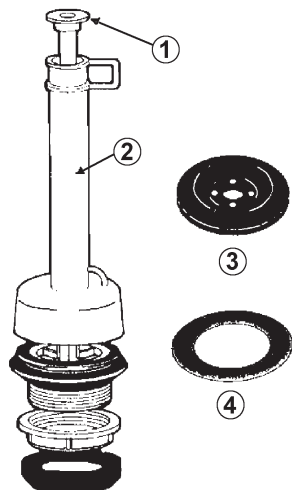
REPAIR PARTS FOR UNIVERSAL RUNDLE MODEL 278 TILT VALVE

ITEM	PART #	DESCRIPTION
1	40211541	Tilt valve assy. (278)
2	40211540	Lift strap
3	40211538	Seat washer
4		Screw Plug (Not Sold Separately)



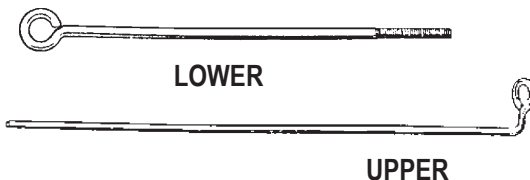
REPAIR PARTS FOR MANSFIELD WATERSAVER FLUSH VALVE

ITEM	PART #	DESCRIPTION
1	6961422	Stop cap w/ foam bumper
2	6961424	Float assembly - 11-1/2"
3	40211128	Seal for old 208/209 flush valves
4	40211139	Seal for old 210/211 flush valves



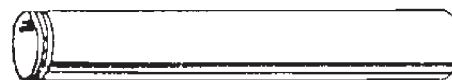
LIFT WIRES

PART #	DESCRIPTION
7100503	4-1/2" Lower lift wire
7100505	5" Lower lift wire
40211227	5-1/2" Lower lift wire
40211332	8" Upper lift wire

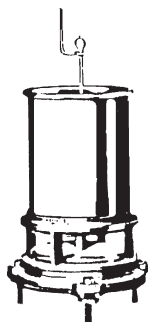


OVERFLOW TUBES

PART #	DESCRIPTION
7100520	1" x 10-1/2" Brass overflow tube
7100459	1" x 10-1/2" Plastic overflow tube
7100522	1-1/8" x 10-1/2" Brass overflow tube

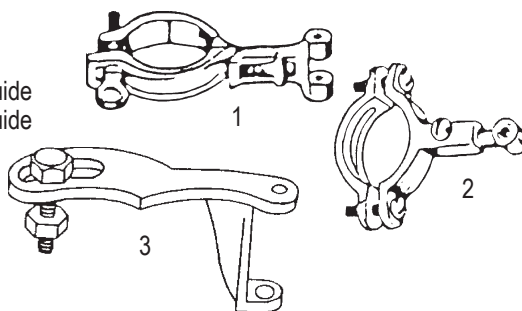


CURTAIN # 50
Seat washer
Part # 40211438



GUIDE ARMS

ITEM	PART #	DESCRIPTION
1	40211554	Adjustable brass guide
2	7100528	Adjustable brass guide
3	40211555	Eljer guide arm
	40211316	Flapper attachment with screw



TOTAL MAINTENANCE SOLUTIONS

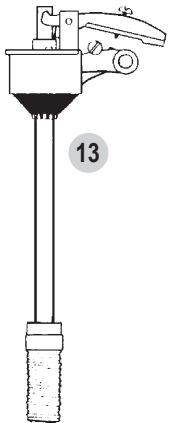
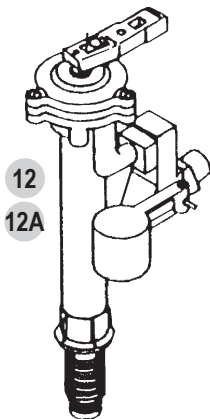
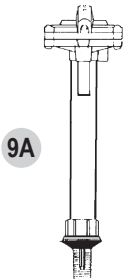
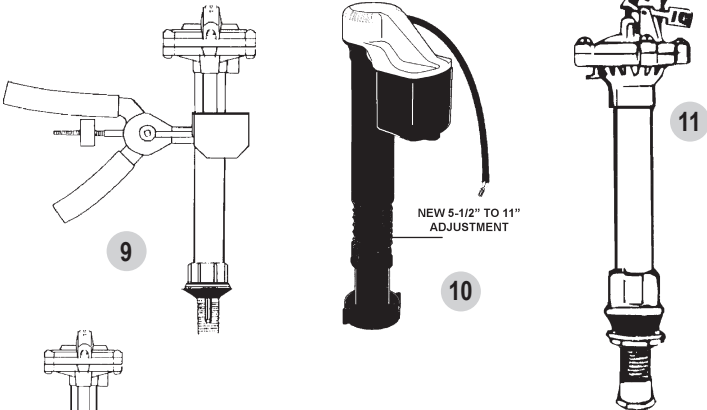
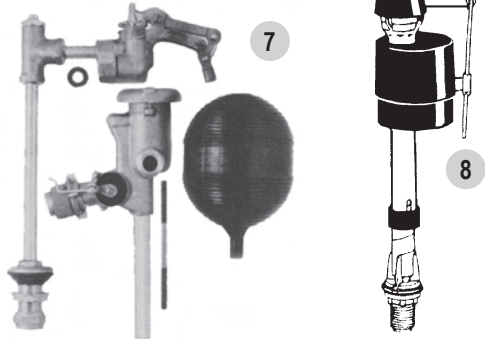
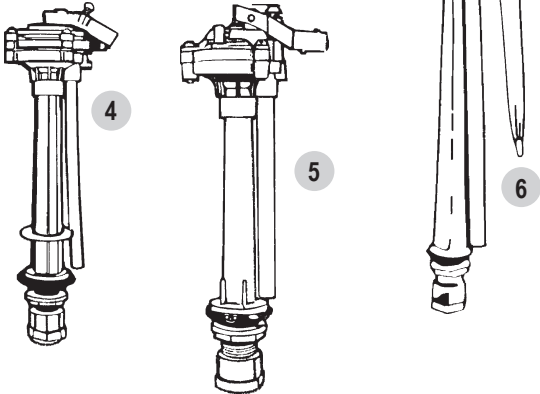
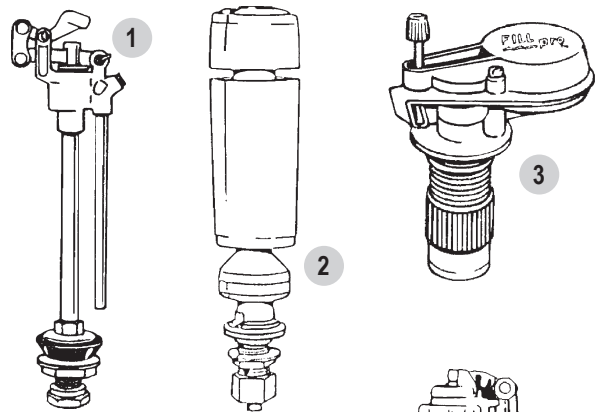
HOUSTON
800/392-5066

ORLANDO
800/327-3022

GREENVILLE
800/476-2212

LOOK FOR US ON THE WEB AT: www.TMSSouth.com

TOILET & TANK REPAIRS



COMPLETE BALLCOCKS

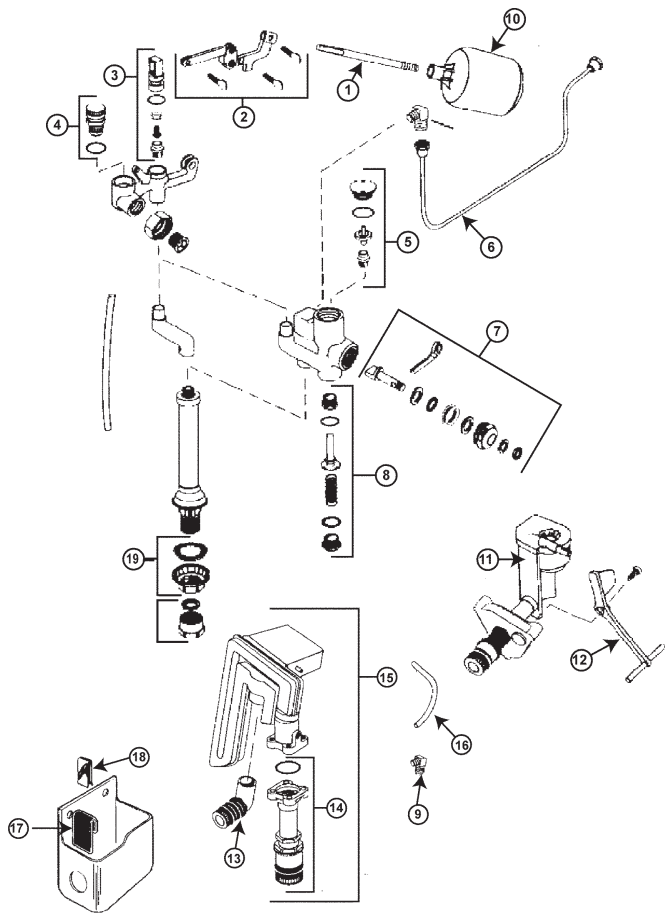
ITEM	PART #	DESCRIPTION
1	40211248	Burlington Brass #20R adjustable ballcock
2	6916400	Twentieth Century ballcock
3	40211247	Fillpro (Delta) ballcock
4	40211249	Coast 1B1 10" ballcock
5	40211290	Coast Master 8-1/2" ballcock
6	6918350	Coast Mark III 10" ballcock
7	40210018	Briggs Case 5150-50 ballcock
8	40211120	Fluidmaster 400A ballcock
9	40211251	Eljer ballcock 495-0260-00
9A	40211121	without attachment 1B1X ballcock
10	40211193	Korky ballcock (Hunter)
11	6939500	Hoverline 12" anti-siphon ballcock
12	40210014	Kohler K-9269 RIALTO ballcock
12A	40211250	Kohler K-9269 without flush valve
13	40211542	Universal Rundle 190 ballcock
14	6998080	Watts Governor ballcock with thermal expansion relief valve
	01892347	American Standard Smart Valve repair kit

TOILET & TANK REPAIRS

AMERICAN STANDARD 3148 SERIES (ROMA ONE-PIECE)

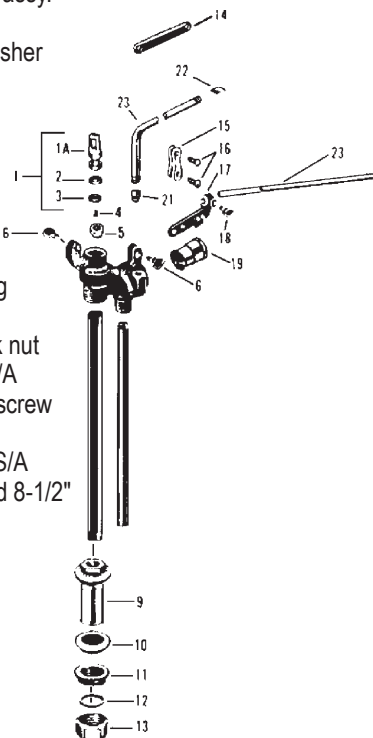
MOST PARTS ARE INTERCHANGEABLE WITH LUXOR ONE-PIECE

ITEM	PART #	DESCRIPTION
1	40211485	Float rod
2		Lever assembly
3	40120201	Plunger assembly
	40211477	Plunger washer
	01891252	Seat - monel
4	40211486	Volume regulator kit
5	40120588	Vacuum breaker kit
6	40211489	Supply tube Vent Away
7	40211487	Diverter stem kit
8	40211488	Diverter valve kit
9	40211490	Male elbow
10	40211244	Plastic float
11	40120235	Back flow w/paddle
	01892392	Rubber seal (include above)
12	01892380	Paddle lever
13	40211469	Mounting elbow
	01892378	Rubber seal for elbow
14	40211467	Discharge tub assy.
15	40211465	Ventilator assy.
16	40211462	Vacuum tube
17		Rubber pad
18		Spring clip
19	40211525	Water control mtng. kit



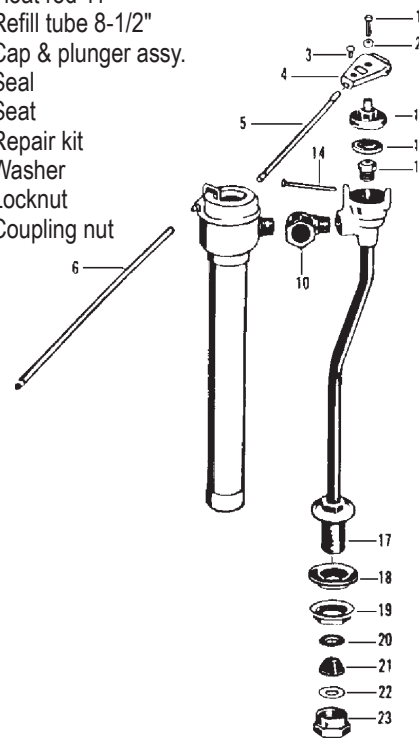
AMERICAN STANDARD 3106 SERIES

ITEM	PART #	DESCRIPTION
1	40120201	Plunger assy.
2	40211477	"U" cup
3	01890310	Seat washer
4	50100014	Screw
5	40211435	Seat
6	40211470	Thumb screw
10	40211515	Shank washer
11	40211520	Locknut
12	01890230	Coupling washer
13	40218868	Ballcock nut
14-17	40211484	Lever S/A
18	01890590	Thumb screw
19	40211483	Volume control S/A
23	40211472	Float rod 8-1/2"



AMERICAN STANDARD 3131 & 3137 SERIES

ITEM	PART #	DESCRIPTION
5	40211523	Float rod 11"
6	40211524	Refill tube 8-1/2"
11	40211522	Cap & plunger assy.
12	40211517	Seal
13	40211561	Seat
11-13	40120273	Repair kit
18	40211515	Washer
19	40211520	Locknut
23	40218868	Coupling nut



**TOTAL
MAINTENANCE
SOLUTIONS**

HOUSTON
800/392-5066

ORLANDO
800/327-3022

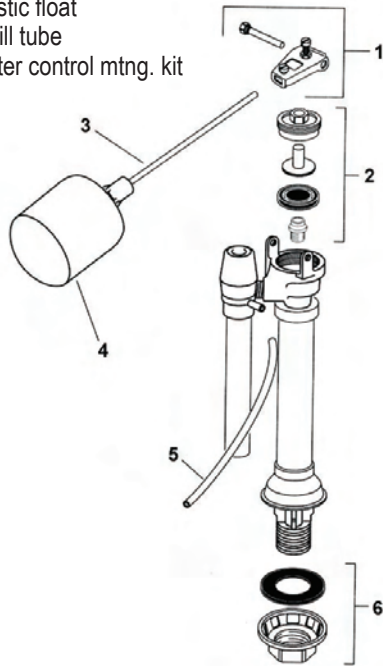
GREENVILLE
800/476-2212

LOOK FOR US ON THE WEB AT: www.TMSSouth.com

TOILET & TANK REPAIRS

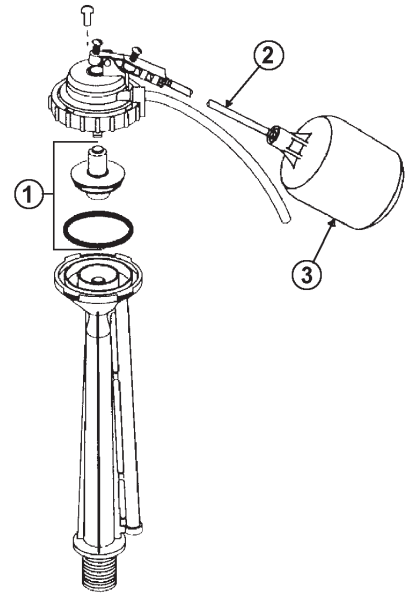
AMERICAN STANDARD ROMA II, ELLISSE, LEXINGTON

ITEM	PART #	DESCRIPTION
1	40211526	Pivot arm kit
2	40120273	Plunger repair kit
3	40211527	Float rod
4	40211244	Plastic float
5	40211553	Refill tube
6		Water control mtng. kit



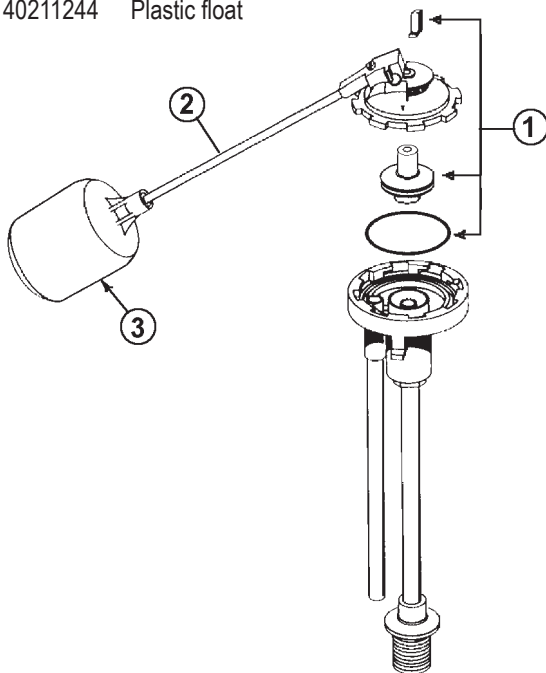
AMERICAN STANDARD CADET II, HAMILTON

ITEM	PART #	DESCRIPTION
1	40211230	Plunger repair kit
2	40211468	Brass float rod
3	40211244	Plastic float



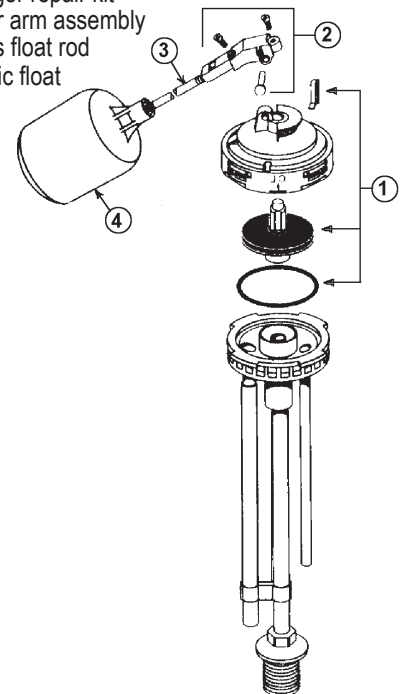
AMERICAN STANDARD CADET, GLENWALL, YORKVILLE AND NEW CADET

ITEM	PART #	DESCRIPTION
1	40211528	Plunger repair kit
2	40211468	Brass float rod
3	40211244	Plastic float



AMERICAN STANDARD CADET PRESTIGE, CADET II NEW CADET, YORKVILLE AND ELLISSE 2 PIECE

ITEM	PART #	DESCRIPTION
1	01891786	Plunger repair kit
2		Lever arm assembly
3	40211468	Brass float rod
4	40211244	Plastic float



**TOTAL
MAINTENANCE
SOLUTIONS**

HOUSTON
800/392-5066

ORLANDO
800/327-3022

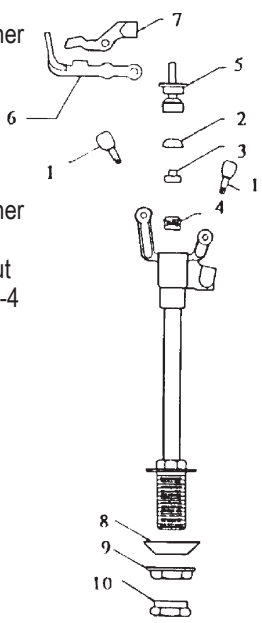
GREENVILLE
800/476-2212

LOOK FOR US ON THE WEB AT: www.TMSSouth.com

TOILET & TANK REPAIRS

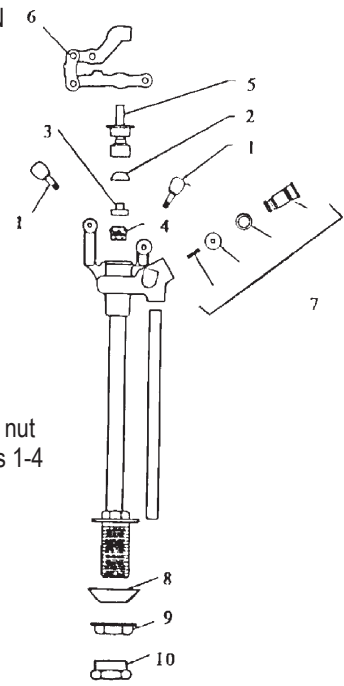
BURLINGTON BRASS # 15 BALLCOCK

ITEM	PART #	DESCRIPTION
1	40211521	Thumb screw
2	6911002	Plunger cup washer
3	6972028	Seat washer
4	6911021	Nylon seat
5	6911434	Plunger assy.
6, 7	6911510	Plunger lever Float rod lever
8	44735014	Cone shank washer
9	40211520	Brass nut
10	40218868	Brass coupling nut
*	6911003	Repair kit items 1-4



BURLINGTON BRASS # 20R BALLCOCK

ITEM	PART #	DESCRIPTION
1	40211521	Thumb screw
2	6911002	Plunger cup washer
3	40211518	Seat washer
4	6911021	Nylon seat
5	6911436	Plunger assy.
6	6911510	Plunger lever S/A
7	6911108	Regulator plug
8	40211074	Cone shank washer
9	40218868	Brass nut
10	7100504	Brass coupling nut
*	6911001	Repair kit items 1-4



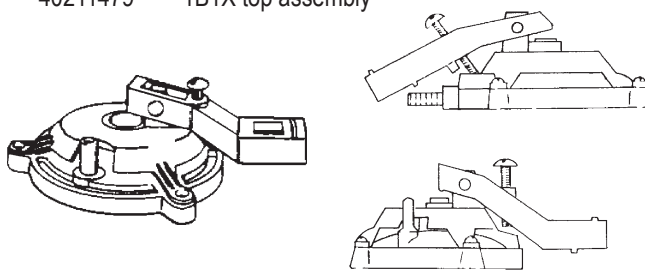
COAST FOUNDRY - BALLCOCK REPAIRS

PART #	DESCRIPTION
40210052	Repair kit for all brass IB
6918001	1B1 & Coastmaster Piston & Seal ring
40211511	Mark II Piston, Seal ring & key
40211230	Mark III Piston, Seal ring & key
40140098	1B1X Piston & Seal ring
6918701	Armibill all brass Piston & Seal ring



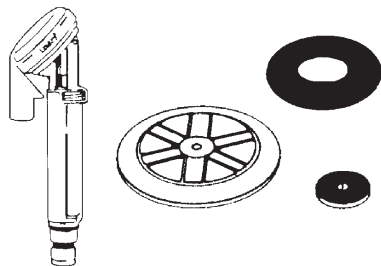
COAST FOUNDRY - TOP ASSEMBLY

PART #	DESCRIPTION
40211508	1B1 Top assembly
6918501	Coastmaster top assy. (flexible overflow)
6918502	Coastmaster top assy. (rigid overflow)
40211509	Mark III top assembly
40211479	1B1X top assembly



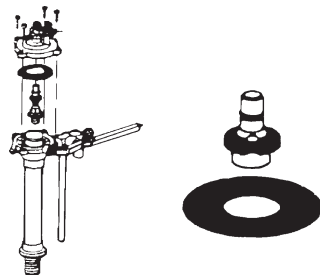
DELTA RPF95A ANTI-SIPHON BALLCOCK

PART #	DESCRIPTION
05222550	Repair parts kit



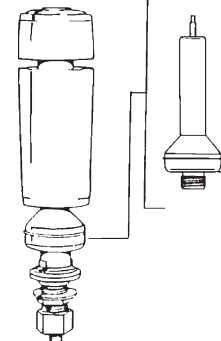
DELTA RP8076 BALLCOCK (DISCONTINUED)

PART #	DESCRIPTION
40211317	Repair kit



TWENTIETH CENTURY BALLCOCK

Replacement Pressure Chamber
PART # 6916401



**TOTAL
MAINTENANCE
SOLUTIONS**

HOUSTON
800/392-5066

ORLANDO
800/327-3022

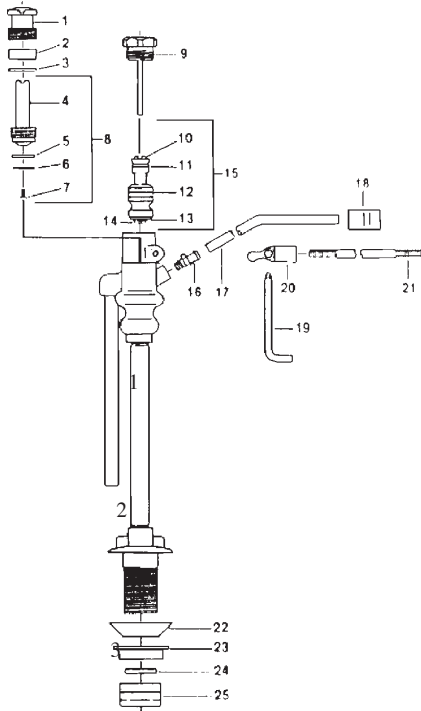
GREENVILLE
800/476-2212

LOOK FOR US ON THE WEB AT: www.TMSSouth.com

TOILET & TANK REPAIRS

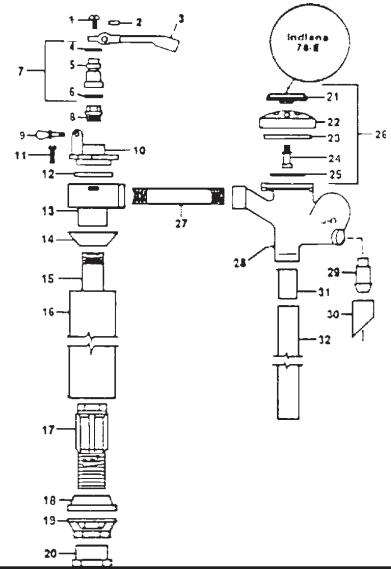
ELJER E-9860 (PRIOR TO 1971)

ITEM	PART #	DESCRIPTION
1	N/A	Packing nut
2	06890210	Packing
3		Washer
8		Regulator screw unit
9		Cap assy.
10		Cup screw
11		Cup washer
12		O-ring
13	06890140	Seat washer
14		Screw
15	06890240	Plunger unit
16	40211461	Adapter
17	40211553	Refill tube
18	6961418	Refill clip
19		Pivot screw
20		Lever
21	40211468	Float rod
22	44735014	Spud gasket
23	40211520	Lock nut
24		Union gasket
25	40218868	Coupling nut



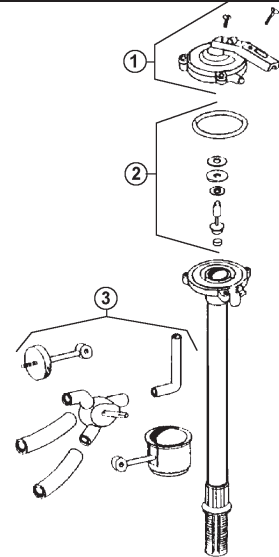
ELJER 495-0230 & 495-0229

ITEM	PART #	DESCRIPTION
1	40211475	Screw
2	40211476	Hex nut
3	08380126	Lever
4	08380131	Cup washer
5		Plunger
6	40211516	Plunger disc
7	40211481	Plunger assy.
8	40211562	Nylon seat
9	40211521	Thumb screw
10		Cap
11		Screw
12		O-ring
21		Cap shield
22		Vent body cap
23	08380150	Rubber seal
24	08380130	Cap pin
25	08380200	Rubber washer
26	08380205	Vent body cap



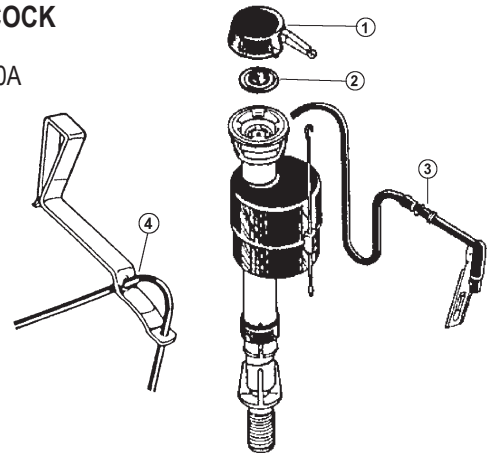
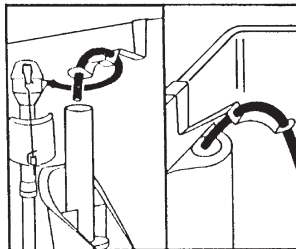
ELJER 495-0260-00, UNIVERSAL-RUNDLE 175

ITEM	PART #	DESCRIPTION
1	40211479	Top assembly
2	40140098	Piston and seal ring
3		Diverter assembly



FLUIDMASTER 200A & 400A BALLCOCK

ITEM	PART #	DESCRIPTION
1	6932405	Top assembly for 400A
2	40211221	Fluidmaster seal
3	6932402	Refill tube
4	6932403	Refill tube clamp

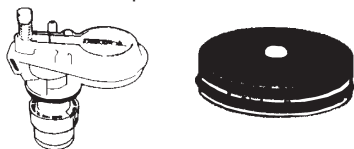


Special refill tube clamp for use with tilt flush valves (Universal-Rundle) or toilet tanks with built-in china overflows.

TOILET & TANK REPAIRS

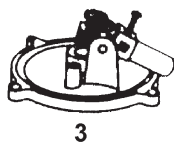
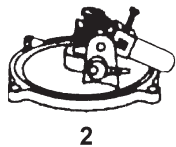
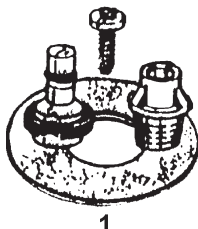
FILLPRO - DELTA RPF75A BALLCOCK

PART #	DESCRIPTION
6933001	Replacement Disc



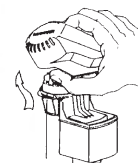
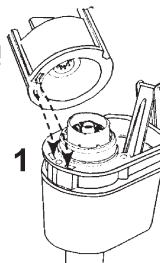
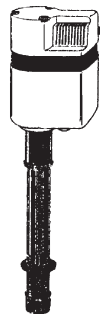
HOOV-R-LINE BALLCOCK REPAIRS

ITEM	PART #	DESCRIPTION
1	40211317	Repair kit
2	6939502	Top assy. Anti-Siphon
3	40211456	Top assy. Regular ballcock
4	6939510	Top assy. No refill outlet



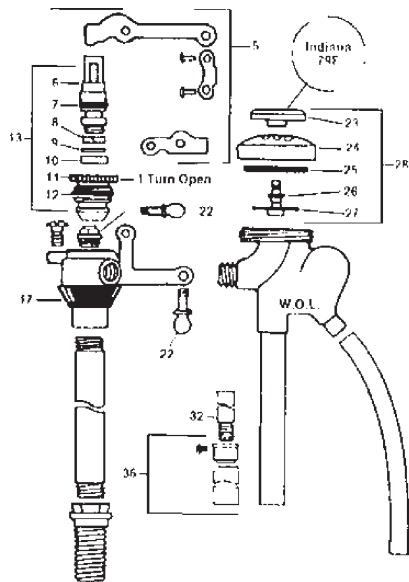
ANTI-SIPHON BALLCOCK

ITEM	PART #	DESCRIPTION
1	40211460	Replacement cap for Mdle 612 (Hunter)
2	40211325	Replacement cap for Mdle 528 (Korky)



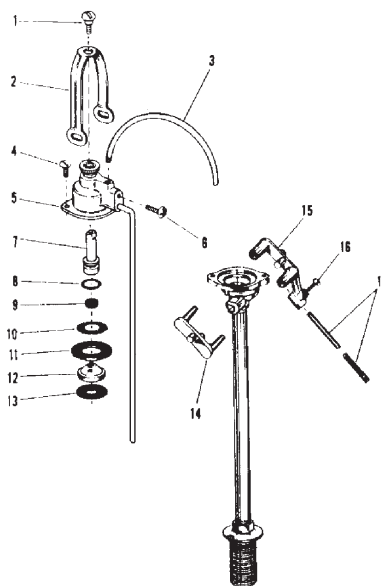
INDIANA BRASS 79E

ITEM	PART #	DESCRIPTION
5	08380160	Fulcrum lever assy.
9	40211516	Plunger disc
13	08380120	Plunger assy. w/ silencer plug
14	40211562	Nylon seat
25	08380150	Rubber washer
27	08380200	Rubber washer
28	08380205	Vent body cap assy.



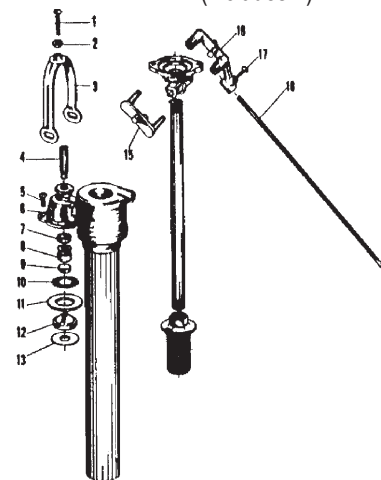
KOHLER K-9255 M

ITEM	PART #	DESCRIPTION
1		Screw
3	7100519	Refill tube
6	40140107	Screw
7	09893500	Plunger w/o-ring & washer
7-14	40211474	Plunger assy. kit
8	41001002	O-ring
9	09893470	Seat washer
10		Screen
11		Washer
12	09893480	Seat
13		Washer



KOHLER K-9252

ITEM	PART #	DESCRIPTION
1	09893490	Screw
2		Nut
3		Lifter
4		Stem
5		Screw (2)
7	41001002	O-ring
8		Seat washer retainer
9	09893470	Seat washer
10		Screen
11		Washer
12	09893480	China seat
13		Washer
7-13	40211491	Repair kit (includes 4)



**TOTAL
MAINTENANCE
SOLUTIONS**

HOUSTON
800/392-5066

ORLANDO
800/327-3022

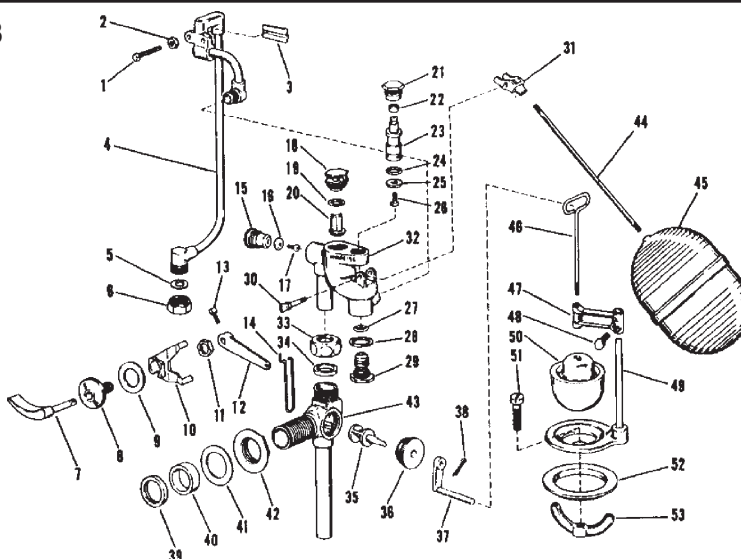
GREENVILLE
800/476-2212

LOOK FOR US ON THE WEB AT: www.TMSSouth.com

TOILET & TANK REPAIRS

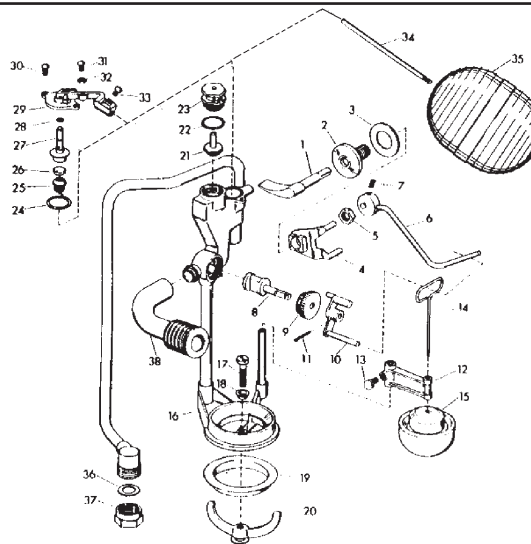
KOHLER K-9240 (CHAMPLAIN) PRIOR TO 1973

ITEM	PART #	DESCRIPTION
7-8	40211500	Trip lever assy.
9		Washer
10	40211444	Trip arm support
11	40211543	Nut
12	09893700	Trip lever
13	40211546	Screw
14	09891290	Lift wire
15-17	09892280	Flow regulator sub. assy.
18	09893778	Check guide
19-20	40211478	Check plunger
21	09892210	Cap
22	09893710	Packing
22-26	40211492	Plunger
25	09893730	Seat washer
27-29	40211493	Seat sub-assy.
46	09893690	Lift wire
47-48	09893720	Guide arm S/A
50	40211480	Tank ball
52	40211052	Washer



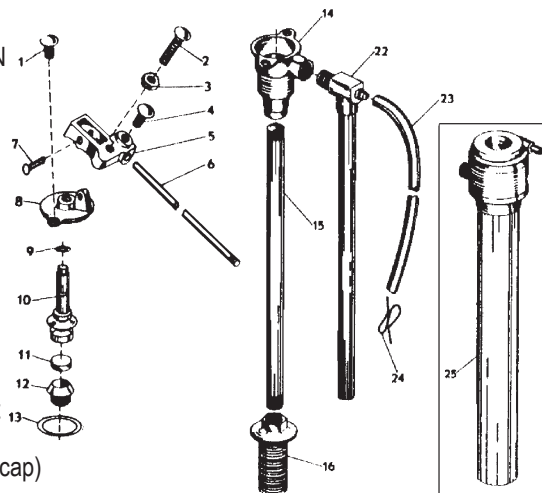
KOHLER K-9241 CHAMPLAIN TOILET

ITEM	PART #	DESCRIPTION
1-2	40211500	Trip lever assembly
3	40211444	Trip arm support
5	09893880	Trip arm
6	40211546	Set screw
12-13	09893720	Guide arm & screw
14	40121059	Lift wire
15	40211326	Tank ball
19	09893918	Washer
21	40140188	Check plunger
22	09890290	Gasket
24	09893740	Gasket
25	40211433	Seat
26	40211503	Seat washer
27-28	40211502	Plunger assy.
38	40211499	Flush tube
	40211498	Rotor replacement kit (items 3, 5-10 & 14)



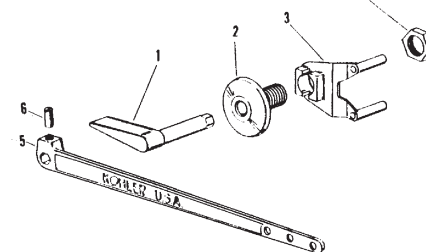
KOHLER K-9262

ITEM	PART #	DESCRIPTION
1	40211497	Float rod
2		Screw
3	09893490	Adjusting screw
2-8	40211495	Cap S/A 2 screws brass cap
2-8	40211496	Cap S/A 3 screws plastic cap
9-11	40211494	Plunger S/A
9-13	40140163	Plunger S/A kit
12	40211433	Seat
13	09893740	Gasket (brass cap)



KOHLER K-9400 HANDLE

ITEM	PART #	DESCRIPTION
1	40211442	Trip lever
2	09893660	Flange
3	09893550	Trip arm support
4	40211543	Lock nut
5	40211544	Brass trip arm
	40211545	Plastic trip arm
6	40211546	Set screw



**TOTAL
MAINTENANCE
SOLUTIONS**

HOUSTON
800/392-5066

ORLANDO
800/327-3022

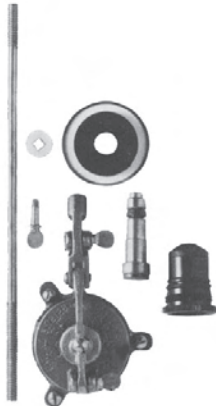
GREENVILLE
800/476-2212

LOOK FOR US ON THE WEB AT: www.TMSSouth.com

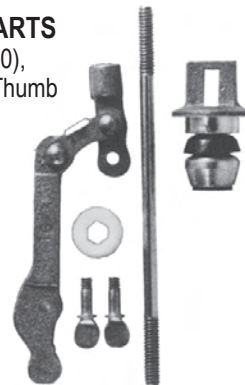
BRIGGS TOILET REPAIRS

SP-1 CONVERSION KIT TO 62-8 BALLCOCK

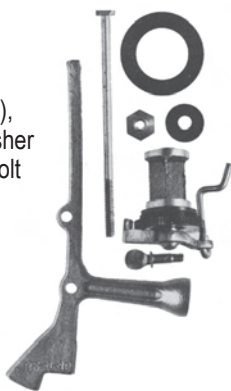
Kit contains: Vent disc (62-11), Vent cap washer (62-13), Vent cap screws (62-15), Thumb screws (62-16), Vent cap (8-14A), Plunger (8-42A), Plunger fulcrum (8-47), Float rod fulcrum (8-48), Water level adj. screw & locknut (8-49) Volume control (62-44).
PART # 40211344

**SP-21 NO. 50 BALLCOCK BODY PARTS**

Kit contains: Plunger (46-50), Seat (48-50), Cross lever assembly, float rod (27-50), Thumb screws (26-50).
TMS PART # 6920613

**SP-10 DIVERTER VALVE PARTS**

Kit contains: Diverter valve (62-28), Diverter valve fulcrum arm (8-46), Conn. wire (62-30), Arm (8-31A), Screw (62-32), Cap (62-33), Thumb screw (62-16), Washer (62-34), Bolt (62-35), Washer (62-36), Bolt (62-37).
PART # 40211450

**SP-3 FLAPPER W/ CHAIN FOR NO. 62 FLUSH VALVE**

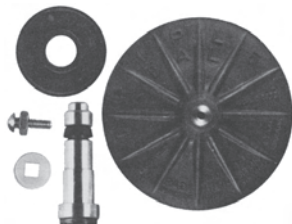
TMS PART # 40211455

**SP-22 NO. 50 BALLCOCK STOP ASSEMBLY REPAIR PARTS**

Kit contains: Stop spindle (40-50), Packing nut (41-50), Packing washers (42-50), Upper skirt (43-50), Lower skirt (43A-50), Skirt spacer (44-50).
TMS
PART # 6920614

**SP-19 62-8 BALLCOCK PLUNGER ASSEMBLY**

Kit contains: Plunger (8-42A), Seat (62-39), Vent disc (62-11), Adj. screw & locknut (8-49), Triple seal ball (60-5).
PART # 40211452

**SP-11 PUMP ASSEMBLY**

Kit contains: Jet pump body (62-26), Jet pump elbow (62-25), Tube clamps (62-24), Conn. tube (62-23).
PART # 40211453

**SP-12 PUMP ASSEMBLY**

Kit contains: Jet pump body (62-26), Jet pump elbow (8-25A), Clamps (62-24), Conn. tube (8-23A).
PART # 40211451

**SP-23 NO. 50 BALLCOCK REGULATOR REPAIRS**

Kit contains: Reg. body (4-50), Union nut (39-50), Union tailpiece (38-50), Gasket (37-50), Adj. regulator assembly.
PART # 40211560

**SP-25 NO. 50 BALLCOCK RIM VALVE REPAIR PARTS**

Kit contains: Rim valve (10-50), Valve cap (5-50), Conn. wire & rim valve lever (7, 8-50), Rim valve screw (9-50).
PART # 6920616



**TOTAL
MAINTENANCE
SOLUTIONS**

HOUSTON
800/392-5066

ORLANDO
800/327-3022

GREENVILLE
800/476-2212

LOOK FOR US ON THE WEB AT: www.TMSSouth.com

TOILET & TANK REPAIRS

BRIGGS TOILET REPAIRS

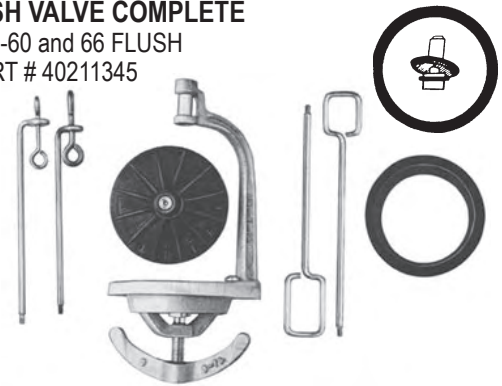
SP-26 NO. 50 BALLCOCK MISC. REPAIRS

Kit contains: Hush tube (24-50), Vent ball seat washer (20-50), Vent ball (29-50), Vent cap washer (28-50), Screws (34-50), Seat (48-50), Seat washer (47-50), Cup washer (32-50).
PART # 6920626



SP-29 FLUSH VALVE COMPLETE

FOR 41-6, 50-60 and 66 FLUSH VALVES. PART # 40211345



SP-24 NO. 50 BALLCOCK VENT ASSEMBLY REPAIRS

Kit contains: Vent cap (17-50), Washer (28-50), Screws (34-50), Vent ball seat washer (20-50), Vent ball (29-50).
PART # 6920615



SP-18 PLUNGER ASSEMBLY FOR 62-8-75 BALLCOCK

Kit contains: Plunger assy. (8-42A), Seat (62-39), Vent disc (62-11), Water level adj. screw & locknut (8-49), Flush valve flapper (#75).
PART # 6920623



46-50 PLUNGER

PART # 40211432

32-50 CUP WASHER

PART # 40211519

47-50 SEAT WASHER

PART # 40211518



8-42A PLUNGER

PART # 40211454

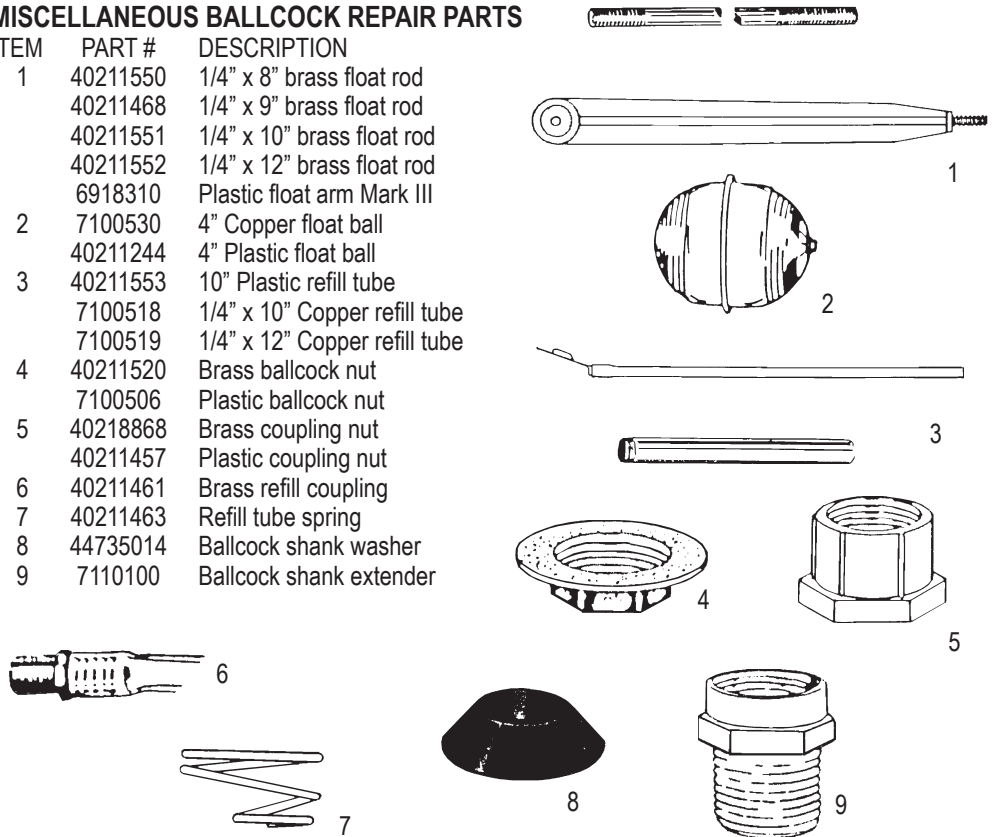
47-50 SEAT WASHER

PART # 40211518



MISCELLANEOUS BALLCOCK REPAIR PARTS

ITEM	PART #	DESCRIPTION
1	40211550	1/4" x 8" brass float rod
	40211468	1/4" x 9" brass float rod
	40211551	1/4" x 10" brass float rod
	40211552	1/4" x 12" brass float rod
	6918310	Plastic float arm Mark III
2	7100530	4" Copper float ball
	40211244	4" Plastic float ball
3	40211553	10" Plastic refill tube
	7100518	1/4" x 10" Copper refill tube
	7100519	1/4" x 12" Copper refill tube
4	40211520	Brass ballcock nut
	7100506	Plastic ballcock nut
5	40218868	Brass coupling nut
	40211457	Plastic coupling nut
6	40211461	Brass refill coupling
7	40211463	Refill tube spring
8	44735014	Ballcock shank washer
9	7110100	Ballcock shank extender



**TOTAL
MAINTENANCE
SOLUTIONS**

HOUSTON
800/392-5066

ORLANDO
800/327-3022

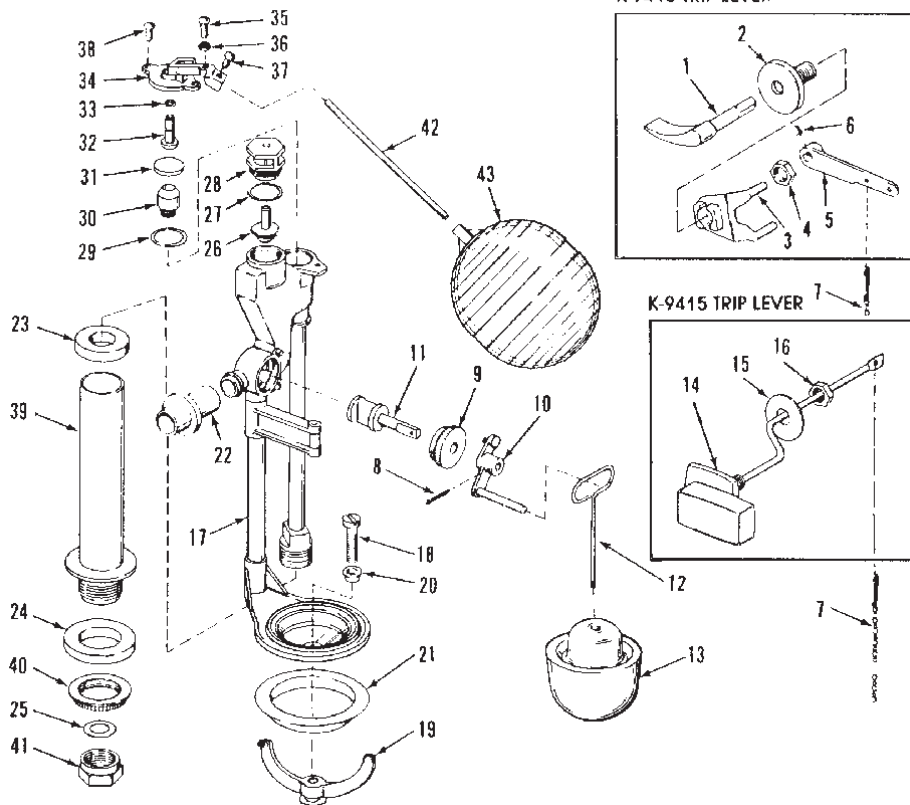
GREENVILLE
800/476-2212

LOOK FOR US ON THE WEB AT: www.TMSSouth.com

TOILET & TANK REPAIRS

KOHLER K-9242 POMPTON TOILET K-9235 ROCHELLE TOILET

ITEM	PART #	DESCRIPTION
1-2	09893660	Trip lever assembly
3	40211444	Trip arm support
5	09893880	Trip lever arm
6	40211546	Set screw
7-11	40211431	Rotor replacement kit
12	40140172	Lift wire
13	40211326	Tank ball
21	09893918	Washer
22	09893800	Sleeve
23	09895153	Washer
24	09893809	Washer
22-25	40211501	Valve service kit
26	40140188	Check plunger
27	09893510	Gasket
29	09893740	Gasket
30	40211504	Nylon seat
31	40211503	Seat washer
32-33	40211502	Plunger assy.
34-38	40211430	Cap assy.

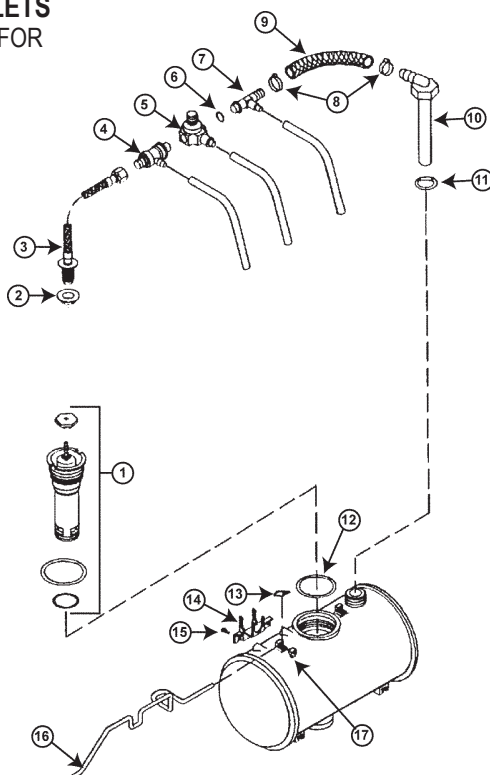


KOHLER PRESSURE CLEAN TOILETS

PARTS ARE NO LONGER AVAILABLE FOR THESE MODELS.

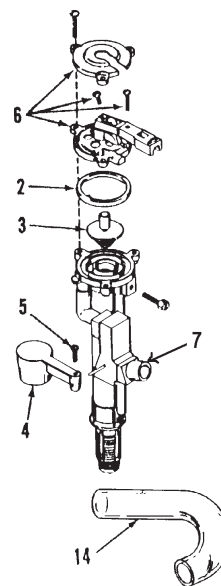
IF YOU HAVE A ONE-PIECE TOILET, ENTIRE UNIT MUST BE REPLACED.

IF YOU HAVE A TWO-PIECE TOILET, TANK MAY BE REPLACED WITH A SLOAN FLUSHMATE.



KOHLER K-9269 BALLCOCK

ITEM	PART #	DESCRIPTION
2-3	40140098	Valve service kit
4-5		Float assembly
6	09893365	Cap assembly
7	09892377	Body
14	09894245	Rim hose



**TOTAL
MAINTENANCE
SOLUTIONS**

HOUSTON
800/392-5066

ORLANDO
800/327-3022

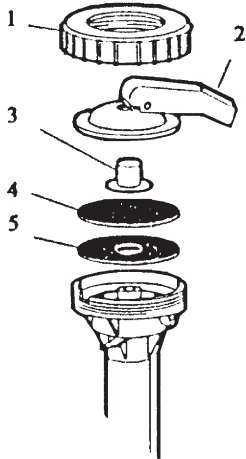
GREENVILLE
800/476-2212

LOOK FOR US ON THE WEB AT: www.TMSSouth.com

TOILET & TANK REPAIRS

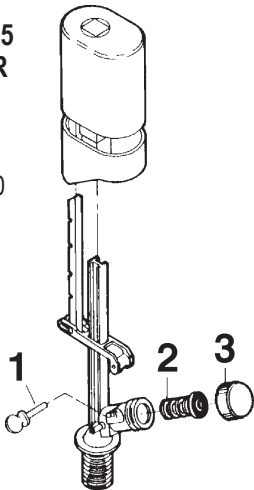
MANSFIELD 08 BALLCOCK

ITEM	PART #	DESCRIPTION
1	6961414	Cap nut
2	6961416	Cap & lever
3	6961405	Plunger
4-5	6961402	Upper & lower diaphragm



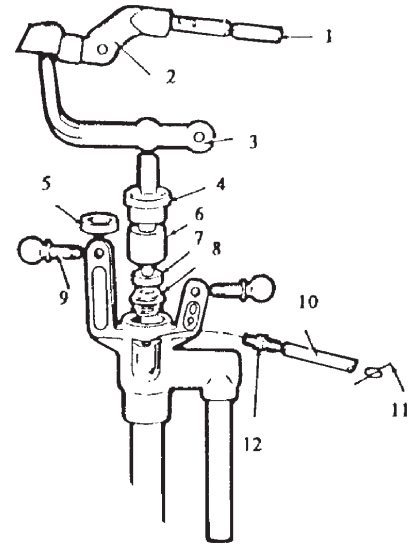
MANSFIELD 05 WATER MISER

Repair kit contains : items 1 thru 3.
PART # 6961400



MANSFIELD 09 BALLCOCK

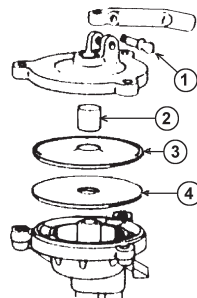
ITEM	PART #	DESCRIPTION
1	40211550	Float rod
2		Upper lever
3	6961404	Lower lever
4	40211559	Plunger assy. (4,5,7)
5	6961407	Huva-cup
6		Plunger
7	6972028	Valve washer
8		Seat
9	40211521	Thumbscrew
10	40211553	Refill tube
11	6961418	Refill tube clip
12	40211461	Tube connector
*	6961401	Repair kit for 03-09 Ballcock, items 5,7-9



MANSFIELD 12 BALLCOCK REPAIR KIT

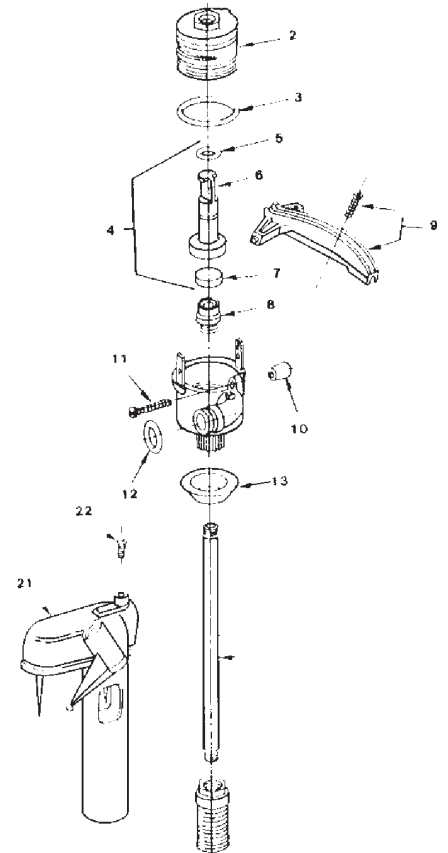
ITEM	DESCRIPTION
1	Thumb screw (1)
2	Nylon plunger (1)
3	Upper diaphragm (1)
4	Lower diaphragm (1)

PART # 6961400



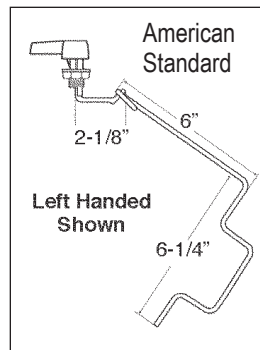
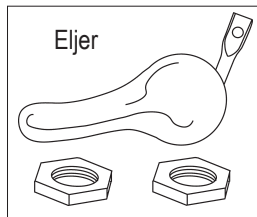
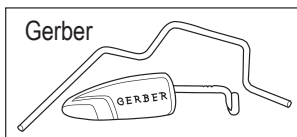
UNIVERSAL -RUNDLE

ITEM	PART #	DESCRIPTION
2		Adjusting plug
3	41001077	O-ring
4-7	20740194	Plunger assy.
7	6972023	Rubber disc
21	20740188	Diverter assembly



PRESSURE ASSISTED TANK LEVERS

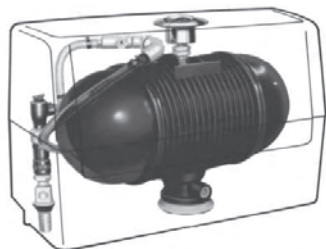
PART #	DESCRIPTION
40120208	American Standard
7129100	Gerber
40211342	Eljer



TOILET & TANK REPAIRS

SLOAN FLUSHMATE 200 SERIES

PART #	DESCRIPTION
40211531	Flush cartridge
6978102	Supply lower – NLA use 6978100
6978114	Supply upper – NLA use 6978100
40211159	Supply group
40211163	Flush button

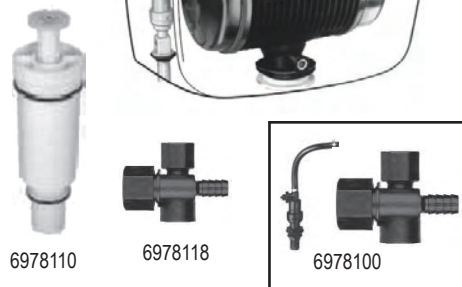


FLUSHMATE®

A Division of Sloan Valve Company

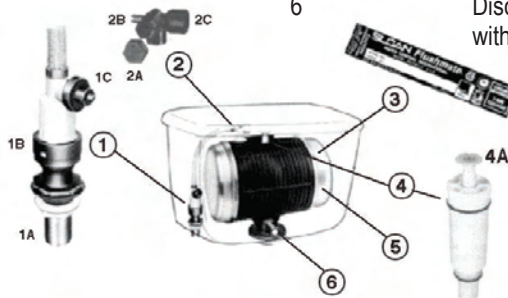
SLOAN FLUSHMATE 501 SERIES

PART #	DESCRIPTION
40211167	Flush cartridge
40211160	Supply lower – NLA use 6978100
40211161	Supply upper
6978100	Supply group
6978120	Push button assy.



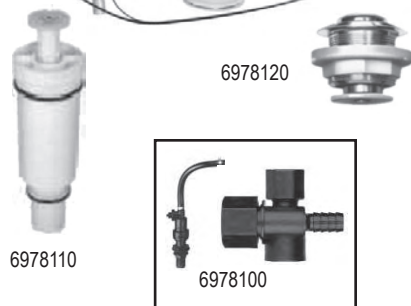
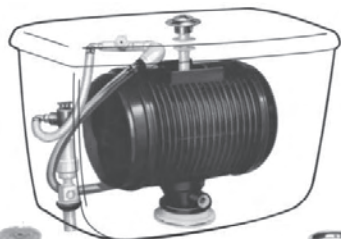
SLOAN FLUSHMATE 501A

ITEM	PART #	DESCRIPTION	ITEM	PART #	DESCRIPTION
1	6978122	Lower supply group	2A		Muffler cap
1A		Supply shank	2B		Air inducer
1B		Pressure reg. w/back ck.	2C		Vacuum breaker
1C		Relief valve	3		Name plate w/serial #
2	40211335	Upper supply group	4	6978110	Flush valve cartridge assy.
			5		Vessel
			6		Discharge extension with drain



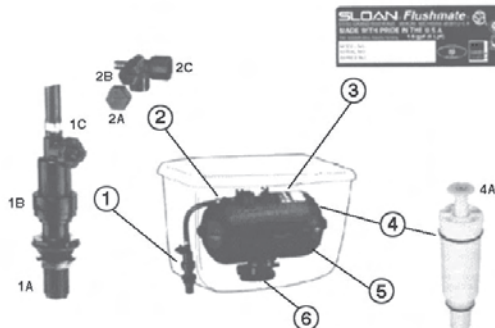
SLOAN FLUSHMATE 500 SERIES

PART #	DESCRIPTION
40211167	Flush cartridge
6978104	Supply lower – NLA use 6978100
40211328	Supply upper– NLA use 6978100
40211159	Supply group
6978120	Push button assy



SLOAN FLUSHMATE 501B

ITEM	PART #	DESCRIPTION	ITEM	PART #	DESCRIPTION
1	6978122	Lower supply group	4A		Actuator w/set screw
1A		Supply shank	5		Vessel
1B		Pressure reg. w/back ck.	6		Discharge extension with drain
1C		Relief valve			
2	40211335	Upper supply group			
2A		Muffler cap			
2B		Air inducer			
2C		Vacuum breaker			
3		Name plate w/ serial #			
4	6978110	Flush valve cartridge assy.			



HOUSTON
800/392-5066

ORLANDO
800/327-3022

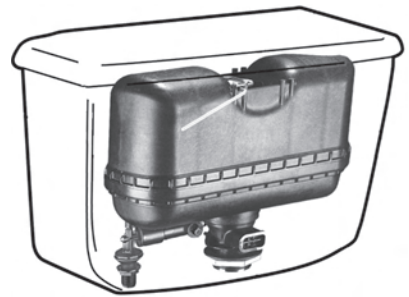
GREENVILLE
800/476-2212

LOOK FOR US ON THE WEB AT: www.TMSSouth.com

TOILET & TANK REPAIRS

SLOAN FLUSHMATE SERIES 503 AND 504

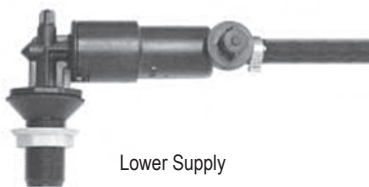
- | | |
|----------|---|
| PART # | DESCRIPTION |
| | Complete Flushmate System (indicate toilet manufacturer when ordering)
For close coupled toilet – 503 Series |
| | Complete Flushmate System (indicate toilet manufacturer when ordering)
For close coupled toilet – 504 Series |
| | Complete replacement unit for Eljer Tank 141-7000, 141-7001 |
| | Complete Flushmate System (indicate toilet manufacturer when ordering)
For 1 piece toilet – 503 Series |
| | Complete Flushmate System (indicate toilet manufacturer when ordering)
For 1 piece toilet – 504 Series |
| 6978100 | Flush cartridge |
| 6978118 | Upper supply |
| 40211530 | Lower supply used on 503 and 504 Series |
| 40211533 | Flushmate Wrench – Fits all Series |



6978110



Flushmate Wrench



Lower Supply



6978118

FLUSHMATE®

A Division of Sloan Valve Company

FLUSHMATE® PRESSURE-ASSIST CHANGE-OUT KITS

- Each kit contains
- FLUSHMATE System
 - Mounting hardware
 - Installation Wrench
 - Flush handle
 - Owner's manual

OEM TANKS WITH OBSOLETE PRESSURE-ASSIST SYSTEM*



FLUSHMATE® CHANGE-OUT KITS FOR OBSOLETE SYSTEMS

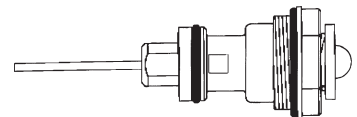


* W/C Technology PF/2 Energizer

PART #	DESCRIPTION
40211426	For Crane 3612
40211427	For Eljer 141-7000
40211428	For Gerber One-Piece 21-012
40211429	For Gerber Two-Piece
40211430	For Peerless 1

W/C TECHNOLOGY PF/2 ENERGIZER

ITEM	PART #	DESCRIPTION
1	NLA	Flush/relief valve
2	NLA	Cap & supply group assembly
3	40211114	Actuator valve (includes 1, 2 & 3)
4	NLA	PF/2 Energizer assembly
5	NLA	Cap gasket w/screw kit



HOUSTON
800/392-5066


ORLANDO
800/327-3022

GREENVILLE
800/476-2212

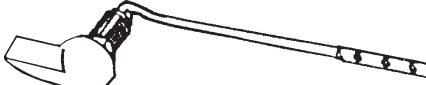
LOOK FOR US ON THE WEB AT: www.TMSSouth.com

TOILET & TANK REPAIRS


TOILET HANDLE REPAIR PARTS



Chrome w/ plastic arm & parts
PART # 40218869



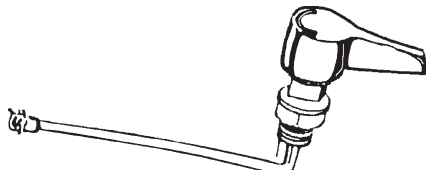
Chrome w/ brass arm & zinc parts
PART # 40211308



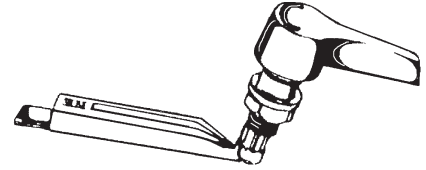
Chrome w/ brass arm & zinc parts
PART # 40211220



Chrome – 10" brass offset arm
PART # 40211536




Chrome – American Standard 4-1/4" arm
PART # 40120269



Chrome – American Standard 4-1/4" plastic arm
PART # 40211242




Chrome – American Standard Concord
PART # 01893366



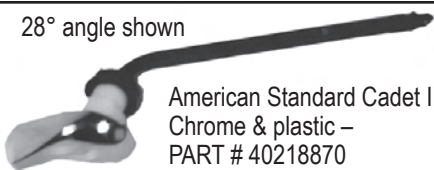
PART # 01965000 White plastic – American Standard 4-1/4"
01964000 White plastic – American Standard 6"




8° angle
Chrome & plastic – American Standard Cadet.
PART # 40120236
White handle
PART # 40211535



White plastic – American Standard Plebe
PART # 40120215



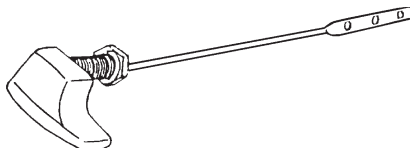
28° angle shown
American Standard Cadet II
Chrome & plastic – PART # 40218870
White – PART # 40120215
45° ANGLE
White – PART # 01892741
Polished brass – PART # 71005010
Chrome – PART # 40211343



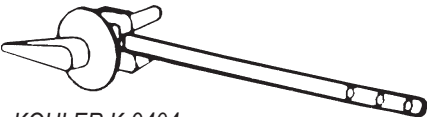
Chrome - American Standard Luxor, Roma with ventaway
PART # 40211471



Chrome - American Standard Luxor, Roma without ventaway
PART # 40211473




ELJER SIDE FLUSH
Chrome – PART # 40211337
Polished brass – PART # 40211466




KOHLER K-9404
Chrome & metal – PART # 40211255
Polished brass – PART # 71005020
FOR PARTS SEE PAGE 12-20




Chrome & plastic – Kohler Wellworth
PART # 40211254



Chrome & plastic – Briggs
PART # 40211556



40211558 Chrome – Mansfield – use with flapper or tank ball – white arm.
40211050 Chrome – Mansfield – use with Mansfield flush valve - blue arm



TOTO Chrome plated – PART # 40211296
TOTO White handle – PART # 71250681

TOILET & TANK REPAIRS

TOILET HANDLE REPAIR PARTS FOR PRESSURE ASSIST TOILETS

AMERICAN STANDARD CADET (2292, 2168 & 2172) AND YORKVILLE (2320, 2325 & 2318)

LEFT HAND HANDLE ONLY
PART # 40211360



RIGHT HAND HANDLE ONLY
PART # 40211411



LEFT HAND
PLUNGER ARM
ROD ONLY
PART # 40211361



RIGHT HAND
PLUNGER ARM
ROD ONLY
PART #
40211413



SPRING ROD HOLD DOWN
(included with complete assemblies only)



LEFT HAND COMPLETE LEVER HANDLE AND ROD ASSEMBLY
PART # 40211417

RIGHT HAND COMPLETE LEVER HANDLE AND ROD ASSEMBLY
PART # 40211418

AMERICAN STANDARD GLENWALL (2093) AND CADET (2333, 2366 AND 2377)

TRIP LEVER LEFT HAND
PART # 40211362



TRIP LEVER RIGHT HAND
PART # 40211415



SPRING ROD
HOLD DOWN
(included with
40211416 and
40211419)

RIGHT HAND
PLUNGER ARM PART
40211416



LEFT HAND
PLUNGER ARM FOR
PART # 40211419

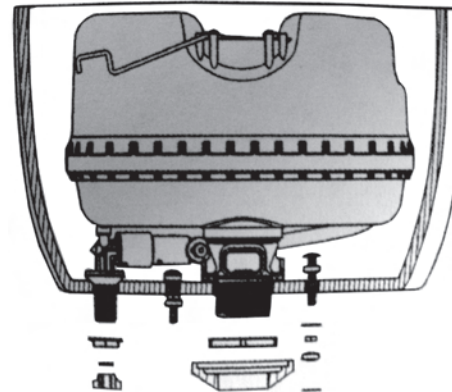


KOHLER PRESSURE ASSIST LEVER ROD/TRIP LEVER
FOR TOILET SERIES K-3493, K-3505 AND K-3554 AND SERIES
K-3519 AND K-3531

TRIP LEVER
LEFT HAND
PART # 40211420



TRIP LEVER
RIGHT HAND
PART # 40211421



LEFT HAND PLUNGER
ARM FOR K-3493, K-3505
AND K-3554
PART # 40211422



RIGHT HAND PLUNGER
ARM FOR K-3493,
K-3505 AND K-3554
PART # 40211423



LEFT HAND
PLUNGER ARM FOR
K-3519 AND K-3531
PART # 40214024



RIGHT HAND
PLUNGER ARM FOR
K-3519 AND K-3531
PART # 40211425



**TOTAL
MAINTENANCE
SOLUTIONS**

HOUSTON
800/392-5066

ORLANDO
800/327-3022

GREENVILLE
800/476-2212

LOOK FOR US ON THE WEB AT: www.TMSSouth.com